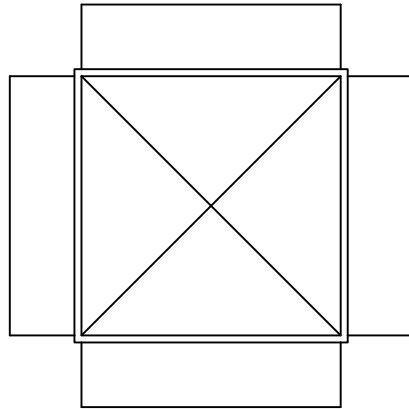
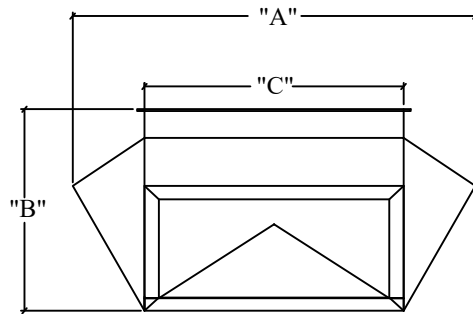
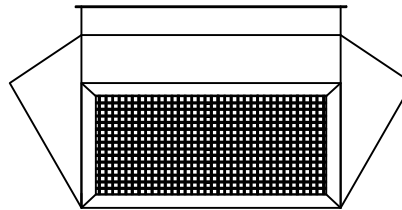


FOUR - WAY THROW

TOP VIEW



SIDE VIEW



STANDARD ITEMS:

- 1: 2" THICK R-8 INTERNAL INSULATION
- 2: TDC TYPE DUCT CONNECTION
- 3: GALVANIZED STEEL CONSTRUCTION (DROP BOX)
- 4: ALUMINUM DOUBLE DEFLECTION GRILLES (WHITE)

OPTIONS:

- 1: DROP BOX PAINTED WHITE
- 2: OPPOSED BLADE DAMPERS
- 3: CLOSED CELL INSULATION
- 4: DELETE INSULATION
- 5: DOUBLE DEFLECTION GRILLES (MILL FINISH)
- 6: STAINLESS STEEL CONSTRUCTION

NOTES:


- 1: THROW BASED ON 150-100-50 FPM NECK VELOCITY
- 2: DATA BASED AT ZERO DEGREES DEFLECTION

DEFLECTION	NC	THROWS	PT
15 DEGREES	+ 4	X .85	X 1.2
30 DEGREES	+ 8	X .69	X 1.8

MODEL#	"A"	"B"	"C"	GRILLE SIZE	CFM RANGE	NC	THROW MIN#	THROW MAX#
SF4W-7	58.0"	26.25"	38.0"	36 X 18	9,300 - 17,000	26 - 44	45-66-89	68-84-119
SF4W-8	64.0"	26.25"	44.0"	42 X 18	10,850 - 19,750	26 - 44	47-67-96	75-91-129
SF4W-9	72.0"	31.00"	48.0"	46 X 22	13,350 - 26,700	25 - 46	49-74-106	87-106-150
SF4W-10	76.0"	33.25"	50.0"	48 X 24	15,250 - 30,500	25 - 46	52-79-114	93-114-161
SF4W-11	94.0"	33.25"	68.0"	32 X 24*	19,750 - 39,500	24 - 44	42-63-91	75-91-129
SF4W-12	98.0"	37.75"	68.0"	32 X 28*	23,750 - 47,500	24 - 45	46-69-100	82-100-142

*USES TWO GRILLES PER SIDE
#THROW DISTANCE IN FEET

www.epcustomproducts.com

 EP CUSTOM PRODUCTS <small>ENDLESS POSSIBILITIES</small>	DOUBLE DEFLECTION DROP BOX MODELS SF4W-8 THRU SF4W-12 FOUR-WAY THROW
	SUBMITTED TO:
DATE: 09-22-21	Items subject to change without notice. EP Custom Products is not responsible to notify of changes or updates in product design. Copyright 2021.
REVISION #: 3	