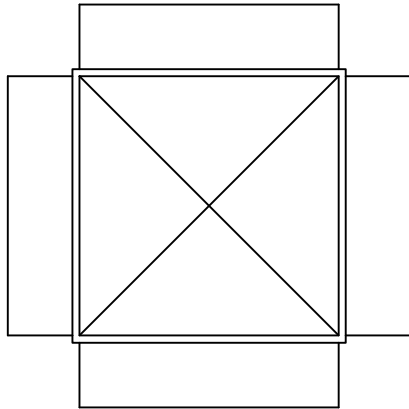
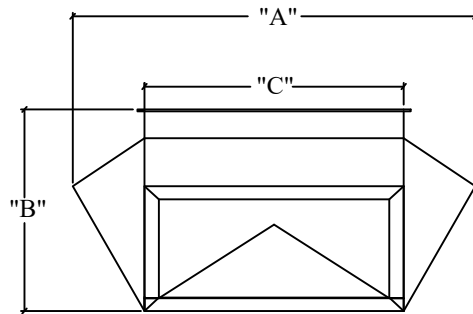
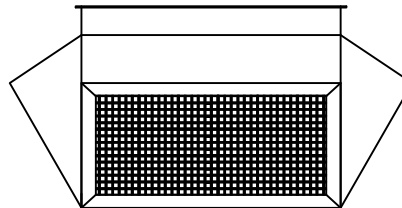


# FOUR - WAY THROW

TOP VIEW



SIDE VIEW



**STANDARD ITEMS:**

- 1: 2" THICK R-8 INTERNAL INSULATION
- 2: TDC TYPE DUCT CONNECTION
- 3: GALVANIZED STEEL CONSTRUCTION ( DROP BOX )
- 4: ALUMINUM DOUBLE DEFLECTION GRILLES ( WHITE )

**OPTIONS:**

- 1: DROP BOX PAINTED WHITE
- 2: OPPOSED BLADE DAMPERS
- 3: CLOSED CELL INSULATION
- 4: DELETE INSULATION
- 5: DOUBLE DEFLECTION GRILLES ( MILL FINISH )
- 6: STAINLESS STEEL CONSTRUCTION

**NOTES:**


- 1: THROW BASED ON 150-100-50 FPM NECK VELOCITY
- 2: DATA BASED AT ZERO DEGREES DEFLECTION

MODEL#	"A"	"B"	"C"	GRILLE SIZE	CFM RANGE	NC	THROW MIN#	THROW MAX#
SF4W-1	31.0"	13.00"	22.0"	18 X 5	1,000 - 2,500	15 - 41	14-21-32	27-33-46
SF4W-2	34.0"	16.50"	22.0"	18 X 8	2,100 - 4,200	22 - 43	18-27-39	34-42-60
SF4W-3	40.0"	16.50"	28.0"	24 X 8	2,900 - 5,850	23 - 44	25-35-50	41-50-70
SF4W-4	46.0"	16.50"	34.0"	30 X 8	3,600 - 7,000	24 - 45	28-39-55	46-55-78
SF4W-5	50.0"	21.25"	34.0"	30 X 12	5,000 - 10,000	23 - 44	32-46-65	53-66-92
SF4W-6	56.0"	26.00"	36.0"	32 X 16	7,500 - 13,700	25 - 43	39-56-80	62-76-108
-	-	-	-	-	-	-	-	-

#THROW DISTANCE IN FEET

DEFLECTION	NC	THROWS	PT
15 DEGREES	+ 4	X .85	X 1.2
30 DEGREES	+ 8	X .69	X 1.8

[www.epcustomproducts.com](http://www.epcustomproducts.com)

 <p><b>EP CUSTOM PRODUCTS</b> ENDLESS POSSIBILITIES</p>	DOUBLE DEFLECTION DROP BOX MODELS SF4W-1 THRU SF4W-6 FOUR-WAY THROW
	SUBMITTED TO:
DATE: 09-22-21	Items subject to change without notice. EP Custom Products is not responsible to notify of changes or updates in product design. Copyright 2021.
REVISION #: 3	