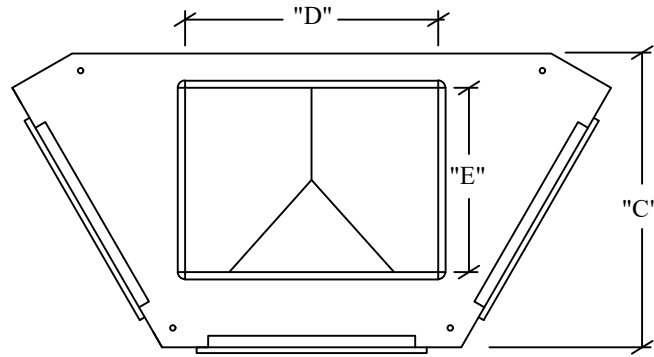
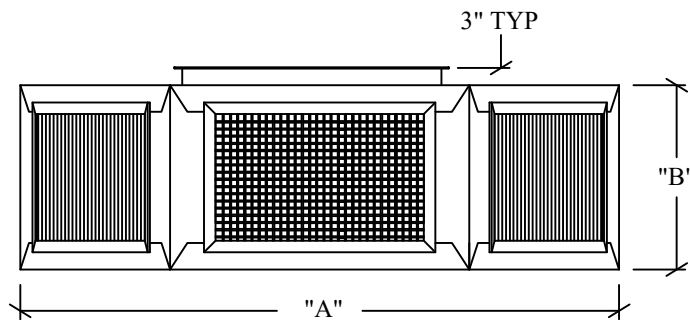


THREE - WAY THROW



TOP VIEW



FRONT VIEW

STANDARD ITEMS:

- 1: 2" THICK R-8 INTERNAL INSULATION
- 2: 3/8" RIVET NUTS IN CORNERS
- 3: GALVANIZED STEEL CONSTRUCTION (DROP BOX)
- 4: ALUMINUM DOUBLE DEFLECTION GRILLES (WHITE)
- 5: TDC TYPE DUCT CONNECTION

OPTIONS:

- 1: DRAIN PAN (DELETES AIR DIVERTER)
- 2: OPPOSED BLADE DAMPERS
- 3: CLOSED CELL INSULATION
- 4: DELETE INSULATION
- 5: DOUBLE DEFLECTION GRILLES (MILL FINISH)
- 6: STAINLESS STEEL CONSTRUCTION
- 7: ALUMINUM CONSTRUCTION
- 8: CUSTOM DUCT INLET SIZE _____
- 9: REAR INLET DUCT CONNECTION (DELETES AIR DIVERTER)

NOTES:

- 1: THROW BASED ON 150-100-50 FPM NECK VELOCITY
- 2: DATA BASED AT ZERO DEGREES DEFLECTION

MODEL#	"A"	"B"	"C"	"D"	"E"	GRILLE SIZE	CFM RANGE	NC	THROW MIN#	THROW MAX#
AR3WAY-0.5	40.0"	16.5"	20.5"	18.0"	15.0"	12 X 12	1,600 - 3,150	22 - 43	21-30-42	34-42-60
AR3WAY-1	52.0"	16.5"	25.5"	22.0"	16.0"	18 X 12	2,400 - 4,850	24 - 44	26-37-52	43-52-74
AR3WAY-2	56.0"	22.5"	27.5"	26.0"	20.0"	20 X 18	3,800 - 7,550	23 - 44	32-46-65	54-65-92
AR3WAY-3	64.0"	24.5"	30.5"	30.0"	24.0"	24 X 20	4,650 - 9,300	22 - 42	33-50-72	59-72-103
AR3WAY-4	80.0"	32.5"	37.5"	36.0"	28.0"	30 X 28	8,250 - 14,850	24 - 42	45-67-96	75-91-129
AR3WAY-5	88.0"	34.5"	41.0"	40.0"	30.0"	36 X 30	10,700 - 19,300	25 - 43	51-76-110	85-104-148
AR3WAY-6	100.0"	38.5"	46.5"	46.0"	36.0"	42 X 34	14,400 - 26,000	26 - 44	59-88-127	99-121-171

#THROW IN FEET

www.epcustomproducts.com



DATE: 09-22-21
REVISION #: 3

DOUBLE DEFLECTION DROP BOX
MODELS AR3WAY-1 THRU AR3WAY-6
THREE-WAY THROW

SUBMITTED TO:

Items subject to change without notice. EP Custom Products is not responsible to notify of changes or updates in product design. Copyright 2021.