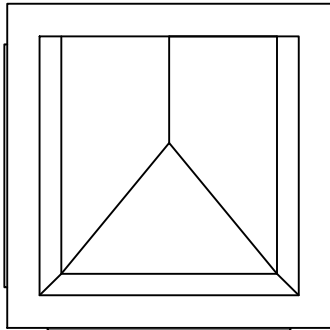
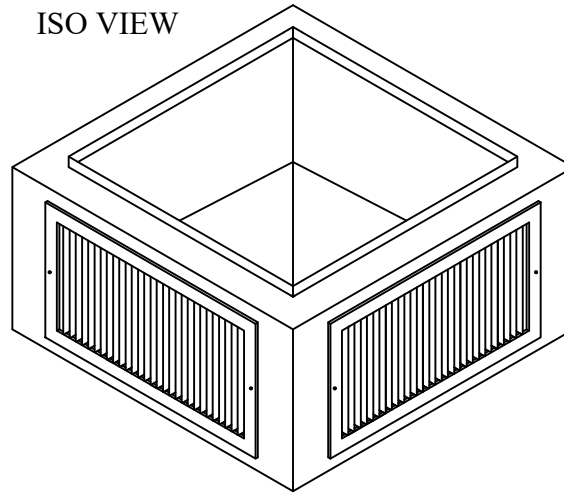


THREE - WAY THROW

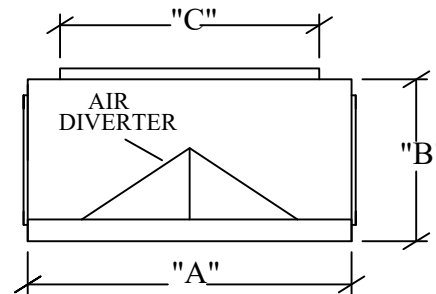
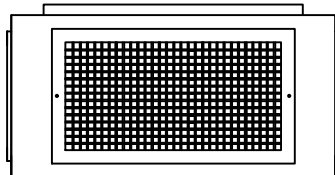
TOP VIEW



ISO VIEW



SIDE VIEW



STANDARD ITEMS:

- 1: 2" THICK R-8 INTERNAL INSULATION
- 2: 3/8" RIVET NUTS IN CORNERS
- 3: GALVANIZED STEEL CONSTRUCTION (DROP BOX)
- 4: ALUMINUM DOUBLE DEFLECTION GRILLES (WHITE)

OPTIONS:

- 1: PAINT DROP BOX (WHITE)
- 2: OPPOSED BLADE DAMPERS
- 3: CLOSED CELL INSULATION
- 4: DELETE INSULATION
- 5: DOUBLE DEFLECTION GRILLES (MILL FINISH)
- 6: STAINLESS STEEL CONSTRUCTION
- 7: CUSTOM DUCT INLET SIZE _____
- 8: TDC TYPE DUCT CONNECTION

NOTES:


- 1: THROW BASED ON 150-100-50 FPM NECK VELOCITY
- 2: DATA BASED AT ZERO DEGREES DEFLECTION

MODEL#	"A"	"B"	"C"	GRILLE SIZE	CFM RANGE	NC	THROW MIN#	THROW MAX#
R3WAY-1	30.0"	10.5"	24.0"	22 X 6	1,400 - 2,750	21 - 42	20-28-40	32-40-56
R3WAY-2	34.0"	11.5"	28.0"	26 X 7	2,000 - 4,000	23 - 44	24-34-47	39-47-67
R3WAY-3	38.0"	12.5"	32.0"	30 X 8	2,700 - 5,350	24 - 45	28-39-55	45-55-78
R3WAY-4	38.0"	16.5"	32.0"	30 X 12	3,750 - 7,550	23 - 44	32-46-65	53-66-92
R3WAY-5	44.0"	16.5"	38.0"	36 X 12	4,500 - 9,300	24 - 42	34-55-72	56-68-96
R3WAY-6	44.0"	20.5"	38.0"	36 X 16	6,200 - 11,250	25 - 43	41-59-84	65-80-113

#THROW DISTANCE IN FEET

EP Custom Products, Inc.- 7823 Commerce Drive, PO Box 1118, Denver, North Carolina, 28037 704.483.8745

www.epcustomproducts.com

 EP CUSTOM PRODUCTS <small>ENDLESS POSSIBILITIES</small>	DOUBLE DEFLECTION DROP BOX MODELS R3WAY-1 THRU R3WAY-6 THREE-WAY THROW
	SUBMITTED TO:
DATE: 09-22-21	Items subject to change without notice. EP Custom Products is not responsible to notify of changes or updates in product design. Copyright 2021.
REVISION #2	