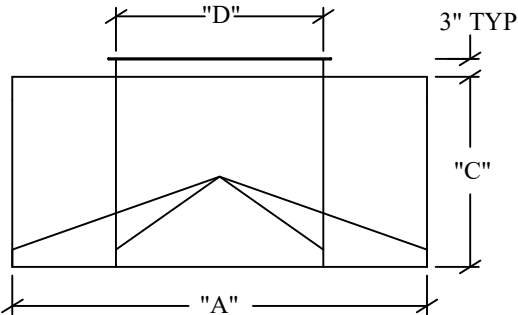
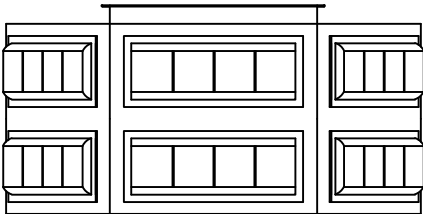
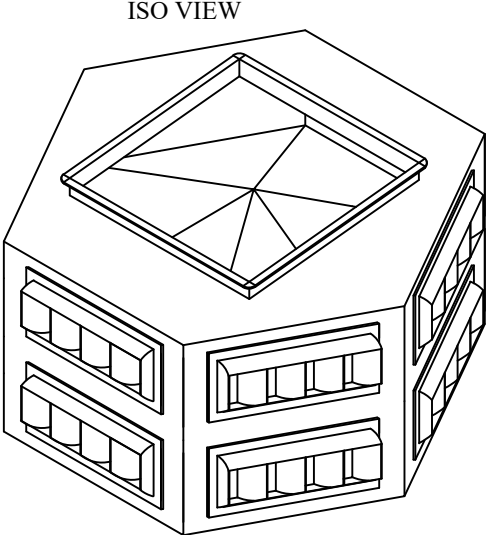
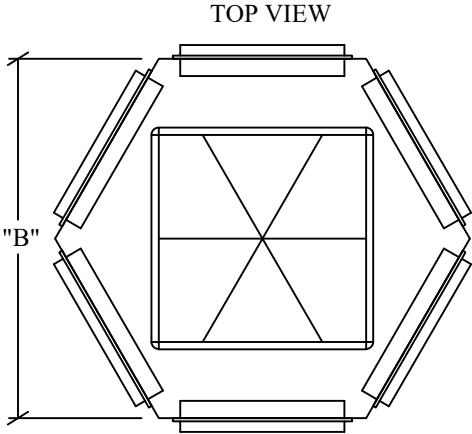


SIX - WAY THROW



- STANDARD ITEMS:**
- 1: 2" THICK R-8 INTERNAL INSULATION
 - 2: WELDED HANGING BRACKETS
 - 3: GALVANIZED STEEL CONSTRUCTION (DROP BOX)
 - 4: ALUMINUM DRUM LOUVERS (WHITE)
 - 5: TDC TYPE DUCT CONNECTION

- OPTIONS:**
- 1: GRILLE ON BOTTOM
 - 2: OPPOSED BLADE DAMPERS
 - 3: CLOSED CELL INSULATION
 - 4: DELETE INSULATION
 - 5: DRUM LOUVERS (MILL FINISH)
 - 6: STAINLESS STEEL CONSTRUCTION
 - 7: CUSTOM DUCT INLET SIZE _____

NOTES:

- 1: THROW BASED ON 150-100-50 FPM NECK VELOCITY
- 2: DATA BASED AT ZERO DEGREES DEFLECTION

DEFLECTION	NC	THROWS	PT
15 DEGREES	+ 4	X .85	X 1.2
30 DEGREES	+ 8	X .69	X 1.8

MODEL#	"A"	"B"	"C"	"D"	LOUVER SIZE	CFM RANGE	NC	THROW MIN#	THROW MAX#
6WAY-7	77.25"	67.00"	34.0"	40.0"	30 X 12	18,000 - 30,000	24 - 42	48-75-84	62-96-110
6WAY-8	87.25"	75.50"	40.0"	45.0"	35 X 15	24,000 - 43,000	24 - 42	56-88-97	76-119-131
6WAY-9	97.25"	88.50"	40.0"	50.0"	40 X 15	35,000 - 50,000	25 - 41	70-109-120	88-138-152
6WAY-10	117.25"	101.50"	40.0"	60.0"	50 X 15	37,500 - 62,500	27 - 45	71-111-123	92-144-159

#THROW IN FEET

www.epcustomproducts.com

DRUM LOUVER DROP BOX
MODELS 6WAY-7 THRU 6WAY-10
SIX-WAY THROW

SUBMITTED TO:

Items subject to change without notice. EP Custom Products is not responsible to notify of changes or updates in product design. Copyright 2021.

DATE: 09-22-21

REVISION #: 3