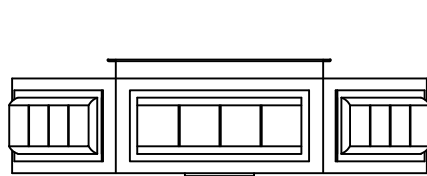
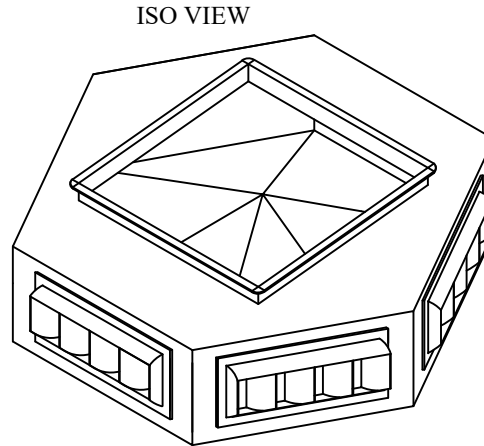
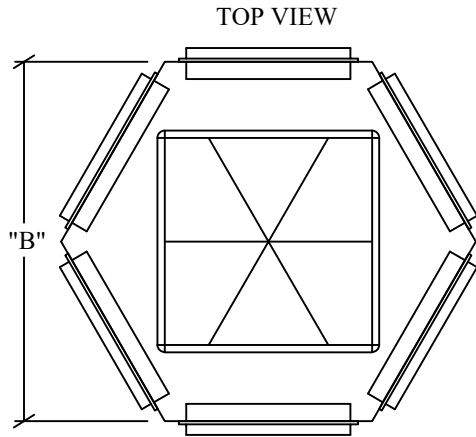
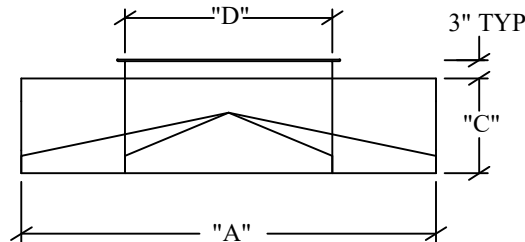


SIX - WAY THROW



SEE NOTE #



- STANDARD ITEMS:**
- 1: 2" THICK R-8 INTERNAL INSULATION
 - 2: 3/8" RIVET NUTS IN CORNERS
 - 3: GALVANIZED STEEL CONSTRUCTION (DROP BOX)
 - 4: ALUMINUM DRUM LOUVERS (WHITE)
 - 5: TDC TYPE DUCT CONNECTION

- OPTIONS:**
- 1: 18x5 GRILLE ON 6WAY-3.5 AND LARGER
 - 2: OPPOSED BLADE DAMPERS
 - 3: CLOSED CELL INSULATION
 - 4: DELETE INSULATION
 - 5: DRUM LOUVERS (MILL FINISH)
 - 6: STAINLESS STEEL CONSTRUCTION
 - 7: CUSTOM DUCT INLET SIZE _____

NOTES:


- 1: THROW BASED ON 150-100-50 FPM NECK VELOCITY
- 2: DATA BASED AT ZERO DEGREES DEFLECTION

MODEL#	"A"	"B"	"C"	"D"	LOUVER SIZE	CFM RANGE	NC	THROW MIN#	THROW MAX#
6WAY-0.5	41.25"	35.72"	11.0"	20.0"	9 X 6	1,000 - 2,400	13 - 42	11-23-32	24-39-48
6WAY-1	41.25"	35.72"	11.0"	20.0"	12 X 6	1,800 - 3,300	19 - 42	17-30-39	30-44-53
6WAY-2	53.25"	46.12"	11.0"	24.0"	18 X 6	2,700 - 5,000	21 - 42	26-40-48	38-56-67
6WAY-3	57.25"	49.58"	15.0"	28.0"	20 X 10	5,000 - 9,000	22 - 44	38-55-64	50-74-88
6WAY-3.5	67.25"	58.25"	15.0"	33.0"	25 X 10	6,200 - 11,400	23 - 44	42-56-71	55-81-97
6WAY-4	77.25"	66.90"	15.0"	38.0"	30 X 10	7,500 - 13,500	23 - 44	45-65-77	60-88-105
6WAY-5	77.25"	66.90"	20.0"	38.0"	30 X 15	11,250 - 18,750	25 - 43	53-76-90	68-99-117
6WAY-6	87.25"	75.56"	20.0"	40.0"	35 X 15	13,100 - 24,000	26 - 47	59-86-101	81-118-139

#THROW IN FEET

DEFLECTION	NC	THROWS	PT
15 DEGREES	+ 4	X .85	X 1.2
30 DEGREES	+ 8	X .69	X 1.8

www.epcustomproducts.com

 <p>EP CUSTOM PRODUCTS ENDLESS POSSIBILITIES</p>	<p>DRUM LOUVER DROP BOX MODELS 6WAY-0.5 THRU 6WAY-6 SIX-WAY THROW</p>
	<p>SUBMITTED TO:</p>
<p>DATE: 09-22-21 REVISION #: 5</p>	<p>Items subject to change without notice. EP Custom Products is not responsible to notify of changes or updates in product design. Copyright 2021.</p>