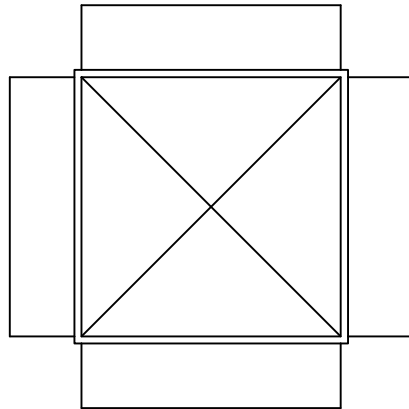
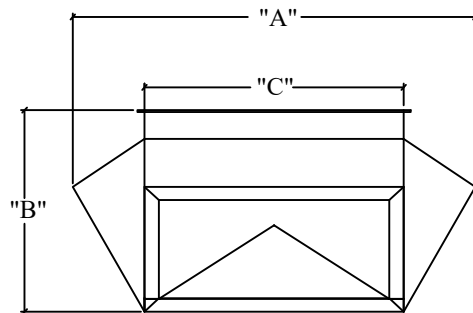
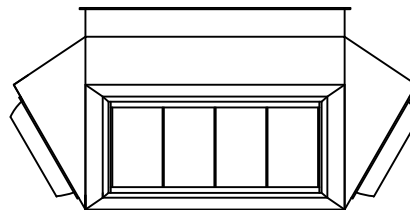


FOUR - WAY THROW

TOP VIEW



SIDE VIEW



STANDARD ITEMS:

- 1: 2" THICK R-8 INTERNAL INSULATION
- 2: TDC TYPE DUCT CONNECTION
- 3: GALVANIZED STEEL CONSTRUCTION (DROP BOX)
- 4: ALUMINUM DRUM LOUVERS (WHITE)

OPTIONS:

- 1: DROP BOX PAINTED WHITE
- 2: OPPOSED BLADE DAMPERS
- 3: CLOSED CELL INSULATION
- 4: DELETE INSULATION
- 5: DRUM LOUVERS (MILL FINISH)
- 6: STAINLESS STEEL CONSTRUCTION

NOTES:


- 1: THROW BASED ON 150-100-50 FPM NECK VELOCITY
- 2: DATA BASED AT ZERO DEGREES DEFLECTION

MODEL#	"A"	"B"	"C"	LOUVER SIZE	CFM RANGE	NC	THROW MIN#	THROW MAX#
SF4W-1DL	36.0"	15.75"	25.0"	18 X 6	1,800 - 3,300	21 - 42	26-40-48	38-56-67
SF4W-2DL	42.0"	15.75"	31.0"	24 X 6	2,400 - 4,400	20 - 41	32-47-56	44-64-76
SF4W-3DL	42.25"	20.50"	27.0"	20 X 10	3,400 - 6,000	22 - 43	39-55-65	50-74-88
SF4W-4DL	47.25"	20.50"	33.0"	25 X 10	4,000 - 7,600	23 - 44	30-53-70	55-81-96
SF4W-5DL	52.25"	20.50"	37.0"	30 X 10	5,000 - 9,000	23 - 44	45-65-77	60-88-105
SF4W-6DL	62.25"	26.25"	44.0"	35 X 15	8,700 - 16,000	26 - 47	59-86-101	81-118-139
SF4W-7DL	67.25"	26.25"	49.0"	40 X 15	10,000 - 18,000	22 - 41	64-94-112	84-122-145
SF4W-8DL	77.25"	26.25"	59.0"	50 X 15	12,500 - 23,000	27 - 49	71-104-123	97-142-167

#THROW IN FEET

DEFLECTION	NC	THROWS	PT
15 DEGREES	+ 4	X .85	X 1.2
30 DEGREES	+ 8	X .69	X 1.8

www.epcustomproducts.com

 EP CUSTOM PRODUCTS <small>ENDLESS POSSIBILITIES</small>	SLANT FACE DRUM LOUVER DROP BOX MODELS SF4W-1DL THRU SF4W-8DL FOUR-WAY THROW
	SUBMITTED TO:
DATE: 09-22-21 REVISION #: 3	Items subject to change without notice. EP Custom Products is not responsible to notify of changes or updates in product design. Copyright 2021.