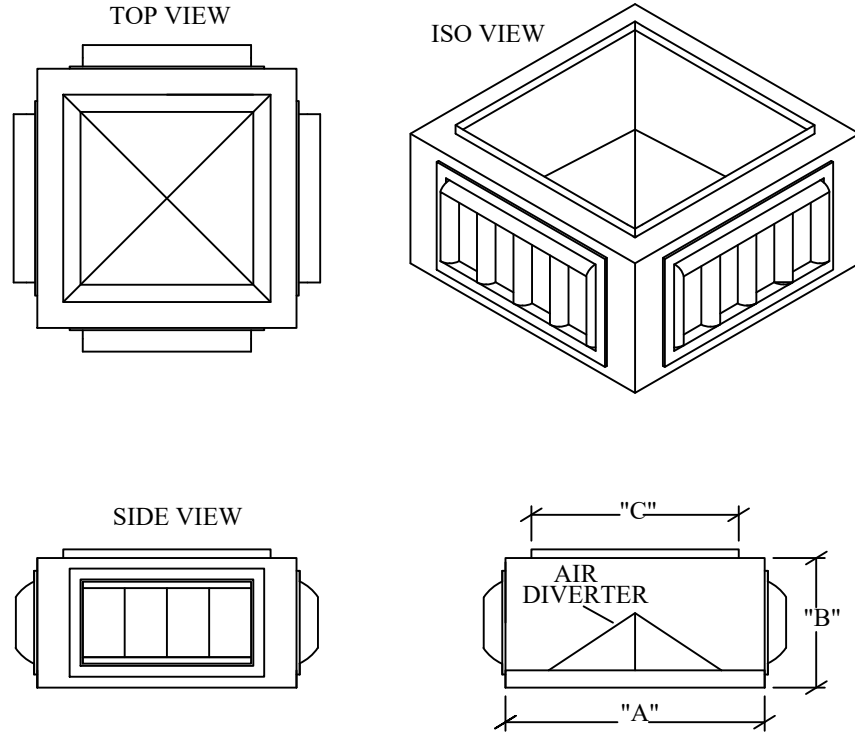


# FOUR - WAY THROW



- STANDARD ITEMS:**
- 1: 2" THICK R-8 INTERNAL INSULATION
  - 2: 3/8" RIVET NUTS IN CORNERS
  - 3: GALVANIZED STEEL CONSTRUCTION ( DROP BOX )
  - 4: ALUMINUM DRUM LOUVERS ( WHITE )

- OPTIONS:**
- 1: TDC TYPE DUCT CONNECTION
  - 2: OPPOSED BLADE DAMPERS (SEE NOTE #4)
  - 3: CLOSED CELL INSULATION
  - 4: DELETE INSULATION
  - 5: DRUM LOUVERS ( MILL FINISH )
  - 6: STAINLESS STEEL CONSTRUCTION
  - 7: CUSTOM DUCT INLET SIZE \_\_\_\_\_

**NOTES:**


- 1: THROW BASED ON 150-100-50 FPM NECK VELOCITY
- 2: DATA BASED AT ZERO DEGREES DEFLECTION
- 3: TDC TYPE DUCT CONNECTION ADDS 3" TO HEIGHT
- 4: OPPOSED BLADE DAMPERS ADD TO "A" DIMENSION:  
2" TO SIZES 0.5 THRU 4.5  
4" TO SIZES 5.5 THRU 6.5

MODEL#	"A"	"B"	"C"	LOUVER SIZE	CFM RANGE	NC	THROW MIN#	THROW MAX#
4WAY-0.5	20.0"	11.5"	16.0"	12 X 6	1,000 - 2,200	13 - 42	15-27-36	30-44-53
4WAY-1	26.0"	11.5"	20.0"	18 X 6	1,800 - 3,300	21 - 42	26-40-48	38-56-67
4WAY-2	32.0"	11.5"	26.0"	24 X 6	2,400 - 4,400	20 - 41	32-47-56	44-64-76
4WAY-2.5	30.0"	15.0"	22.0"	20 X 10	3,400 - 6,000	22 - 43	39-55-65	50-74-88
4WAY-3	35.0"	15.0"	27.0"	25 X 10	4,000 - 7,600	23 - 44	30-53-70	55-81-96
4WAY-4	40.0"	15.0"	32.0"	30 X 10	5,000 - 9,000	23 - 44	45-65-77	60-88-105
4WAY-4.5	40.0"	17.0"	32.0"	30 X 12	6,000 - 11,000	24 - 46	48-71-84	65-97-116
4WAY-5	47.0"	17.0"	37.0"	35 X 12	7,000 - 13,000	25 - 46	53-79-92	72-108-126
4WAY-5.5	47.0"	20.0"	37.0"	35 X 15	8,700 - 16,000	26 - 47	59-86-101	81-118-139
4WAY-6*	52.0"	20.0"	42.0"	40 X 15	10,000 - 18,000	25 - 45	64-94-112	84-122-145
4WAY-6.5*	62.0"	20.0"	50.0"	50 X 15	12,500 - 23,000	27 - 49	71-104-123	97-142-167

\*TDC DUCT CONNECTION STANDARD (SEE NOTE 3)  
#THROW IN FEET

DEFLECTION	NC	THROWS	PT
15 DEGREES	+ 4	X .85	X 1.2
30 DEGREES	+ 8	X .69	X 1.8

www.epcustomproducts.com

 <b>EP CUSTOM PRODUCTS</b> <small>ENDLESS POSSIBILITIES</small>	DRUM LOUVER DROP BOX MODELS 4WAY-0.5 THRU 4WAY-6.5 FOUR-WAY THROW
	SUBMITTED TO:
DATE: 07-07-21 REVISION #: 2	Items subject to change without notice. EP Custom Products is not responsible to notify of changes or updates in product design. Copyright 2021.