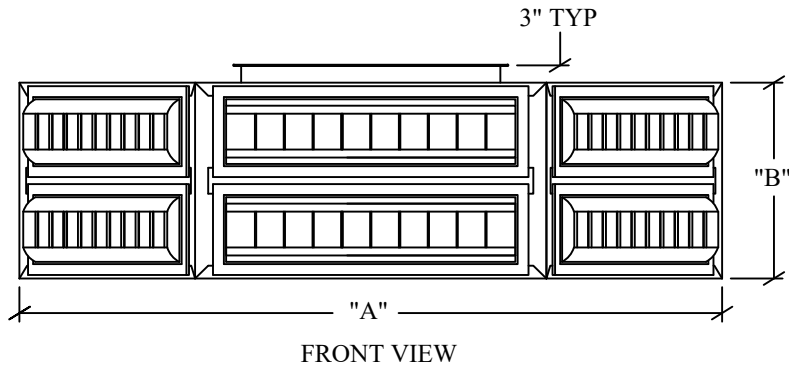
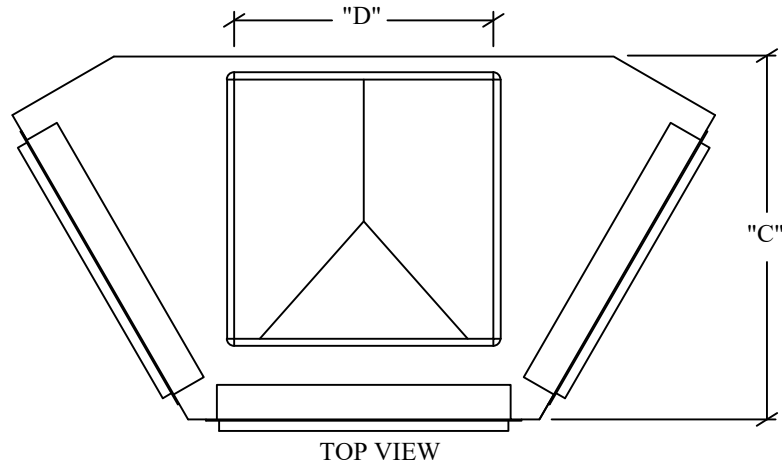


THREE - WAY THROW



- STANDARD ITEMS:
- 1: 2" THICK R-8 INTERNAL INSULATION
 - 2: GALVANIZED STEEL CONSTRUCTION (DROP BOX)
 - 3: ALUMINUM DRUM LOUVERS (WHITE)
 - 4: TDC TYPE DUCT CONNECTION
 - 5: AIR DIVERTER

- OPTIONS:
- 1: DRAIN PAN (DELETES AIR DIVERTER)
 - 2: OPPOSED BLADE DAMPERS
 - 3: CLOSED CELL INSULATION
 - 4: DELETE INSULATION
 - 5: DRUM LOUVERS (MILL FINISH)
 - 6: STAINLESS STEEL CONSTRUCTION
 - 7: ALUMINUM CONSTRUCTION
 - 8: CUSTOM DUCT INLET SIZE _____
 - 9: REAR INLET DUCT CONNECTION (DELETES TOP INLET)

NOTES:

- 1: THROW BASED ON 150-100-50 FPM NECK VELOCITY
- 2: DATA BASED AT ZERO DEGREES DEFLECTION

DEFLECTION	NC	THROWS	PT
15 DEGREES	+ 4	X .85	X 1.2
30 DEGREES	+ 8	X .69	X 1.8

MODEL#	"A"	"B"	"C"	"C"	LOUVER SIZE	CFM RANGE	NC	THROW MIN#	THROW MAX#
A3WAY-5	102.0"	30.0"	52.0"	38.0"	40 X 10	10,000 - 16,500	24 - 42	52-75-90	65-94-114
A3WAY-6	102.0"	40.0"	52.0"	38.0"	40 X 15	15,000 - 25,000	26 - 44	65-93-112	84-121-145
A3WAY-7	122.0"	40.0"	63.0"	45.0"	50 X 15	18,750 - 31,200	27 - 45	71-102-123	92-132-159

#THROW IN FEET

www.epcustomproducts.com



ANGLED DRUM LOUVER DROP BOX
MODELS A3WAY-5 THRU A3WAY-7
THREE-WAY THROW

SUBMITTED TO:

DATE: 09-22-21
REVISION #: 1

Items subject to change without notice. EP Custom Products is not responsible to notify of changes or updates in product design. Copyright 2021.