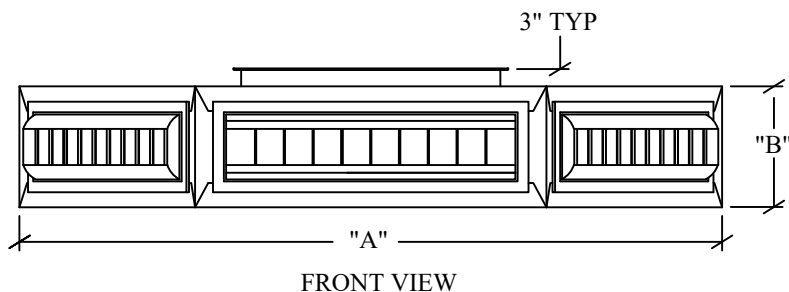
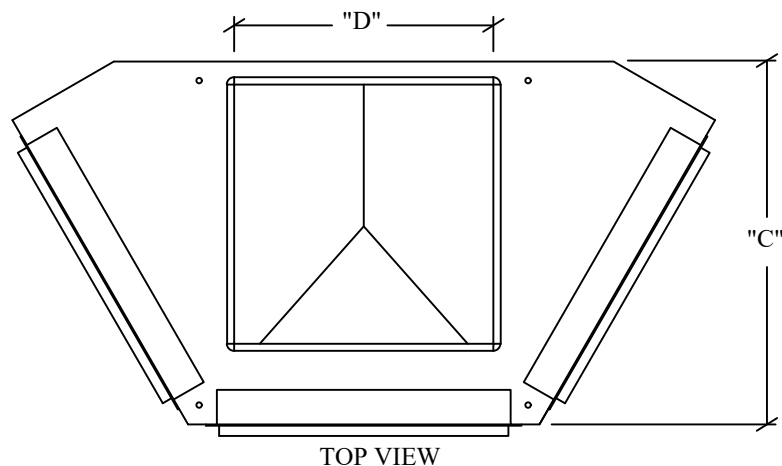


THREE - WAY THROW



- STANDARD ITEMS:
- 1: 2" THICK R-8 INTERNAL INSULATION
 - 2: 3/8" RIVET NUTS IN CORNERS
 - 3: GALVANIZED STEEL CONSTRUCTION (DROP BOX)
 - 4: ALUMINUM DRUM LOUVERS (WHITE)
 - 5: TDC TYPE DUCT CONNECTION

- OPTIONS:
- 1: DRAIN PAN (DELETES AIR DIVERTER)
 - 2: OPPOSED BLADE DAMPERS
 - 3: CLOSED CELL INSULATION
 - 4: DELETE INSULATION
 - 5: DRUM LOUVERS (MILL FINISH)
 - 6: STAINLESS STEEL CONSTRUCTION
 - 7: ALUMINUM CONSTRUCTION
 - 8: CUSTOM DUCT INLET SIZE _____
 - 9: REAR INLET DUCT CONNECTION (DELETES TOP INLET)

NOTES:


- 1: THROW BASED ON 150-100-50 FPM NECK VELOCITY
- 2: DATA BASED AT ZERO DEGREES DEFLECTION

MODEL#	"A"	"B"	"C"	"D"	LOUVER SIZE	CFM RANGE	NC	THROW MIN#	THROW MAX#
A3WAY-1	58.0"	11.5"	28.0"	18.0"	18 X 6	1,100 - 2,500	15 - 42	26-40-48	38-56-67
A3WAY-2	61.0"	17.0"	31.0"	22.0"	20 X 12	2,500 - 5,000	16 - 41	38-54-64	52-75-90
A3WAY-3	72.0"	20.0"	37.0"	26.0"	25 X 15	4,700 - 7,800	24 - 42	50-71-85	64-92-110
A3WAY-3.5	82.0"	20.0"	41.5"	30.0"	30 X 15	5,625 - 10,300	22 - 48	53-76-90	73-105-124
A3WAY-4	92.0"	20.0"	46.0"	32.0"	35 X 15	6,500 - 12,000	26 - 47	59-84-101	81-111-139

#THROW IN FEET

DEFLECTION	NC	THROWS	PT
15 DEGREES	+ 4	X .85	X 1.2
30 DEGREES	+ 8	X .69	X 1.8

www.epcustomproducts.com

 <p>EP CUSTOM PRODUCTS ENDLESS POSSIBILITIES</p>	<p>ANGLED DRUM LOUVER DROP BOX MODELS A3WAY-1 THRU A3WAY-4 THREE-WAY THROW</p>
	<p>SUBMITTED TO:</p>
<p>DATE: 9-20-21</p>	<p>Items subject to change without notice. EP Custom Products is not responsible to notify of changes or updates in product design. Copyright 2021.</p>
<p>REVISION #: 3</p>	