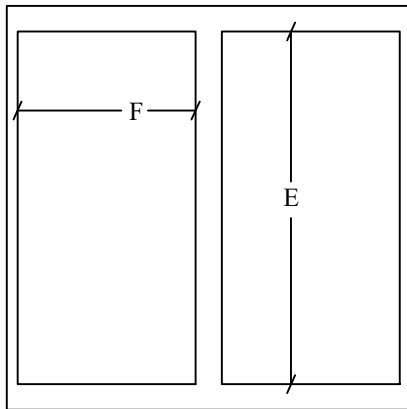
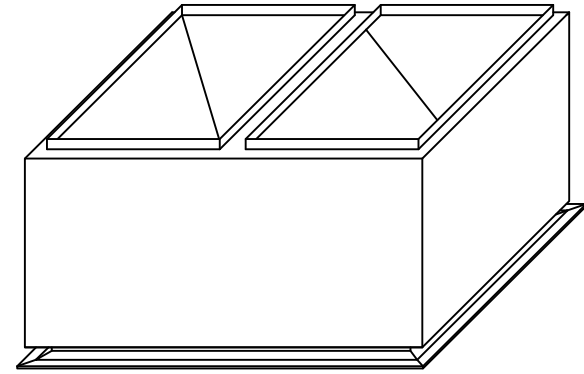
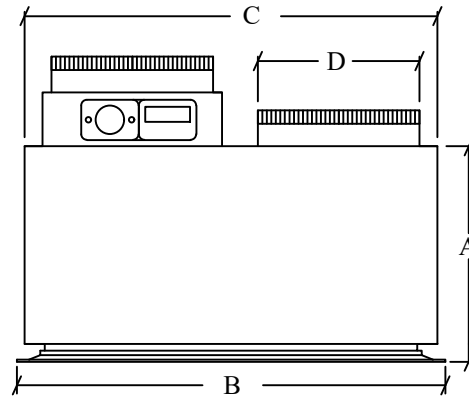
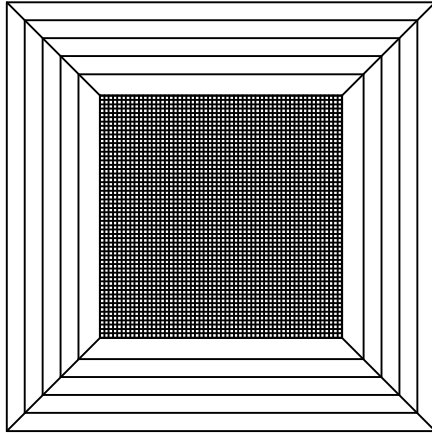
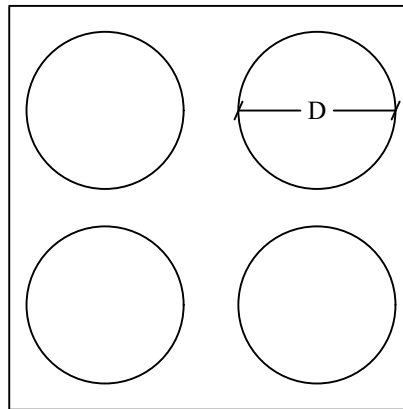


FOUR - WAY THROW



TYPICAL HARD DUCT CONNECTION



TYPICAL FLEX DUCT CONNECTION

OR

- STANDARD ITEMS:
- 1: 2" THICK R-8 INTERNAL INSULATION
 - 2: HANGING BRACKETS
 - 3: PAINTED FACE (WHITE)

- OPTIONS:
- 1: RECTANGLE HARD DUCT CONNECTION
 - 2: ROUND FLEX DUCT COLLARS (4.5" TALL)
 - 3: RETURN AIR DUCT SMOKE DETECTOR
 - 4: SUPPLY AIR DUCT SMOKE DETECTOR
 - 5: CLOSED CELL INSULATION
 - 6: STAINLESS STEEL CONSTRUCTION
 - 7: CUSTOM DUCT INLET SIZE _____

MODEL#	A	B	C	D	E	F	RETURN*	SUPPLY*	CFM RANGE	NC	MIN THROW#	MAX THROW#
FM46	24.0"	47.75"	40.0"	18"	40.0"	18.0"	27"X27"	42"X 42"	2,160 - 4,315	23 - 41	10 - 21	21 - 39
FM52	25.0"	53.75"	46.0"	20"	46.0"	20.0"	33"X33"	48"X 48"	2,530 - 5,910	23 - 45	11 - 23	30 - 48
FM58	27.0"	59.75"	58.0"	18"^^	50.0"	22.0"	39"X39"	54"X 54"	2,910 - 6,790	25 - 45	12 - 24	34 - 52
FM64	29.0"	65.75"	64.0"	20"^^	56.0"	25.0"	45"X45"	60"X 60"	3,230 - 8,750	28 - 46	13 - 25	37 - 56


#THROW DISTANCE IN FEET FOR TERMINAL VELOCITY OF 150-100-50 FPM

*GRILLE SIZE

^^THREE (3) COLLARS EACH FOR SUPPLY AND RETURN

EP Custom Products, Inc.- 7823 Commerce Drive, PO Box 1118, Denver, North Carolina, 28037 704.483.8745

www.epcustomproducts.com

 EP CUSTOM PRODUCTS <small>ENDLESS POSSIBILITIES</small>	FLUSH MOUNT CONCENTRIC DIFFUSER MODELS FM46-64 4-WAY THROW
	SUBMITTED TO:
DATE: 09-21-21	Items subject to change without notice. EP Custom Products is not responsible to notify of changes or updates in product design. Copyright 2021.
REVISION #: 6	