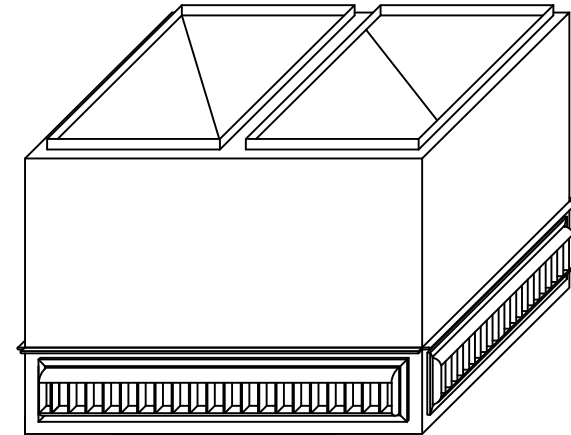
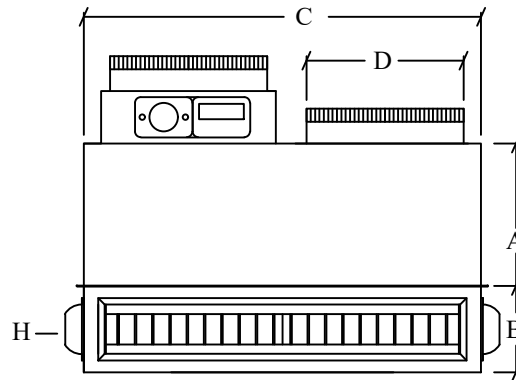
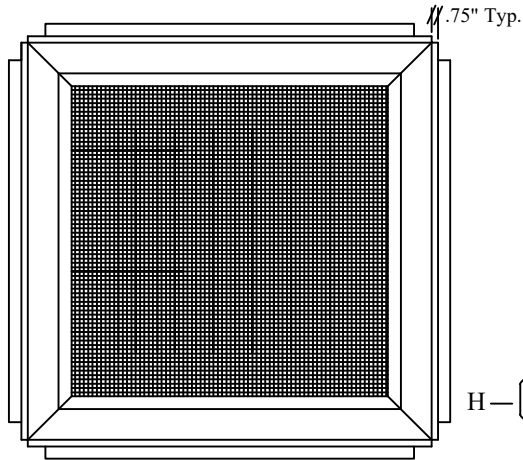
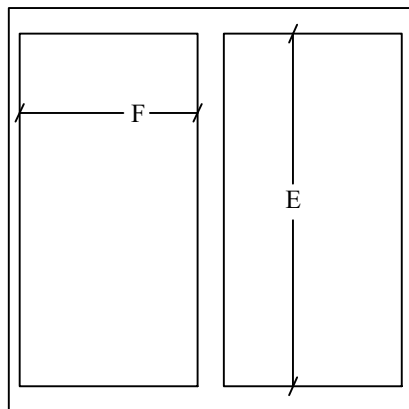


FOUR - WAY THROW

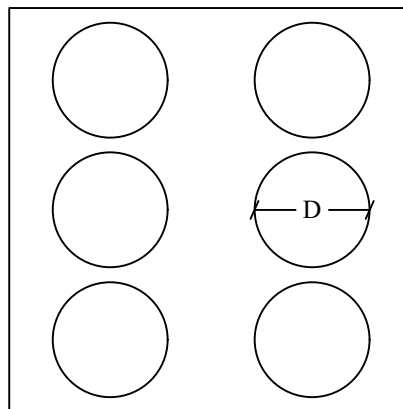


MODEL#	A	B	C	D	E	F	RETURN*	SUPPLY*	CFM RANGE	NC	THROW MIN#	THROW MAX#
RADL58	21.5"	12.0"	58.0"	18"	50.0"	22.0"	42"X42"	48"X 6"	5,200 - 10,800	28 - 47	38 - 46 - 66	48 - 58 - 83
RADL64	22.0"	14.0"	64.0"	20"	56.0"	25.0"	46"X46"	50"X10"	7,150 - 14,300	22 - 48	44 - 54 - 77	61 - 75 - 106
RADL70	23.0"	14.0"	70.0"	-	64.0"	28.0"	48"X48"	60"X10"	8,600 - 17,150	23 - 48	48 - 60 - 84	67 - 82 - 115
-	-	-	-	-	-	-	-	-	-	-	-	-

#THROW DISTANCE IN FEET FOR TERMINAL VELOCITY OF 150 - 75 - 50 FPM
*DRUM LOUVER SIZE



TYPICAL HARD DUCT CONNECTION



OR
TYPICAL FLEX DUCT CONNECTION

NOTES:

- 1: R-8 INSULATION STANDARD
- 2: TYPICAL ROUND COLLAR HEIGHT 4.5"
- 3: TYPICAL HARD DUCT FLANGE HEIGHT 1.25"
- 4: OPTIONAL DUCT CONNECTION SIZES AVAILABLE
- 5: OPTIONAL RETURN AND SUPPLY DUCT SMOKE DETECTORS

www.epcustomproducts.com



RIGHT ANGLE CONCENTRIC DIFFUSER
MODELS RADL58-70 4-WAY THROW

SUBMITTED TO:

Items subject to change without notice. EP Custom Products is not responsible to notify of changes or updates in product design. Copyright 2021.

DATE: 09-27-21

REVISION #: 1