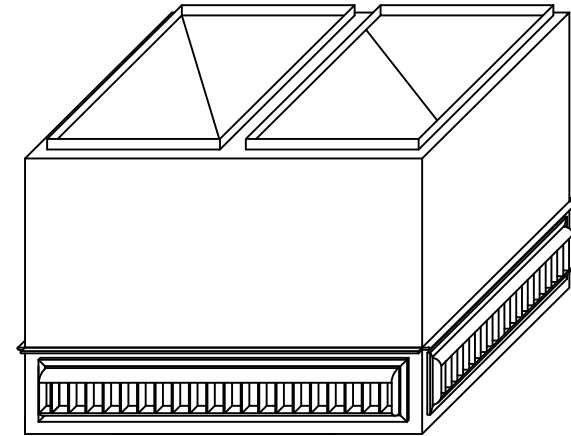
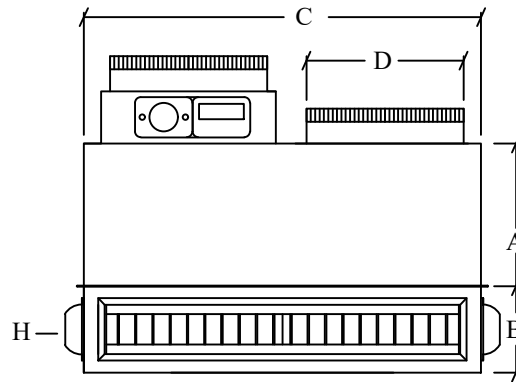
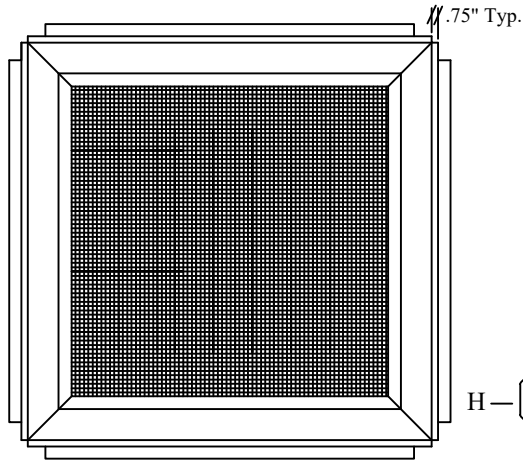
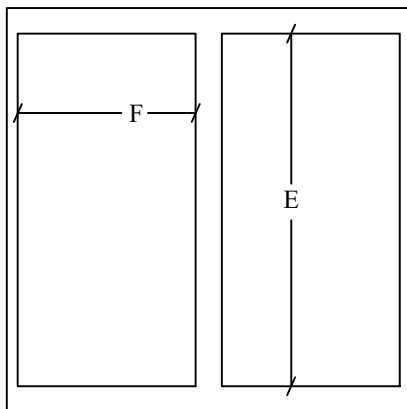


FOUR - WAY THROW

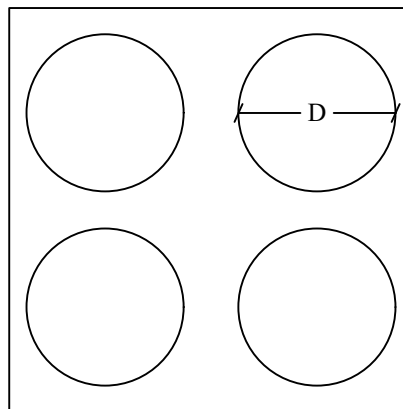


MODEL#	A	B	C	D	E	F	RETURN*	SUPPLY*	CFM RANGE	NC	THROW MIN#	THROW MAX#
RADL40	14.0"	9.0"	40.0"	16"	36.0"	176.0"	30"X30"	30"X6"	2,700 - 5,500	20 - 45	27 - 33 - 47	38 - 46 - 66
RADL46	16.5"	10.0"	46.0"	18"	40.0"	18.0"	34"X34"	36"X6"	3,300 - 6,500	21 - 46	30 - 37 - 52	42 - 51 - 72
RADL52	19.0"	11.0"	52.0"	20"	46.0"	20.0"	38"X38"	42"X6"	3,800 - 7,600	21 - 46	48 - 60 - 84	45 - 55 - 78
-	-	-	-	-	-	-	-	-	-	-	-	-

#THROW DISTANCE IN FEET FOR TERMINAL VELOCITY OF 150 - 75 - 50 FPM
*DRUM LOUVER SIZE



TYPICAL HARD DUCT CONNECTION



OR
TYPICAL FLEX DUCT CONNECTION

NOTES:

- 1: R-8 INSULATION STANDARD
- 2: TYPICAL ROUND COLLAR HEIGHT 4.5"
- 3: TYPICAL HARD DUCT FLANGE HEIGHT 1.25"
- 4: OPTIONAL DUCT CONNECTION SIZES AVAILABLE
- 5: OPTIONAL RETURN AND SUPPLY DUCT SMOKE DETECTORS

www.epcustomproducts.com



RIGHT ANGLE CONCENTRIC DIFFUSER
MODELS RADL58-76 4-WAY THROW

SUBMITTED TO:

Items subject to change without notice. EP Custom Products is not responsible to notify of changes or updates in product design. Copyright 2021.

DATE: 09-27-21

REVISION #: 1