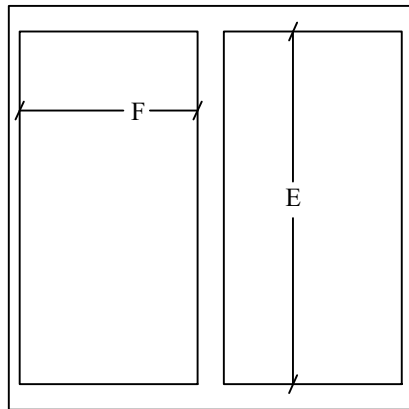
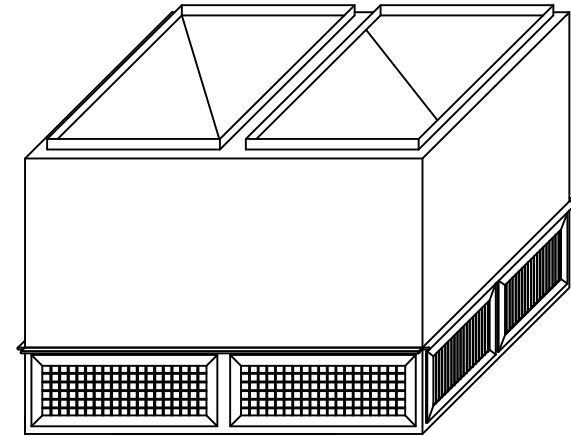
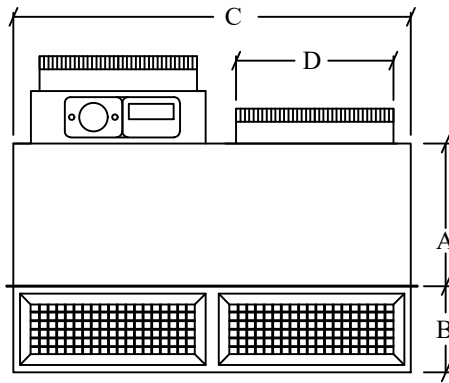
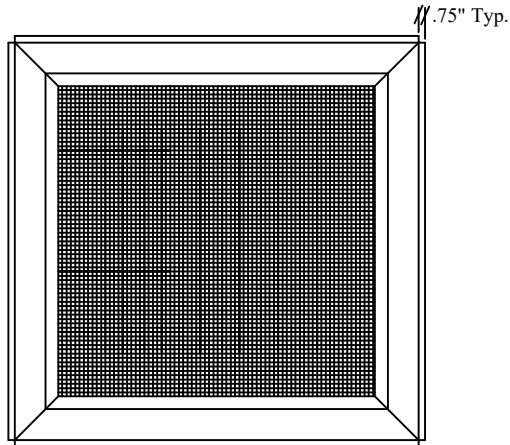
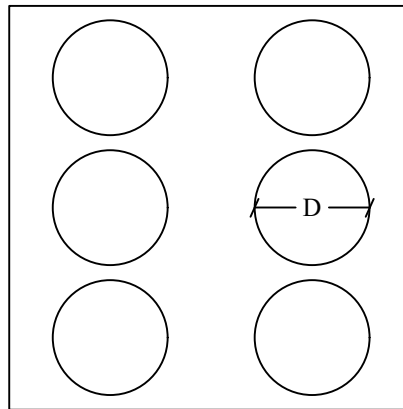


FOUR - WAY THROW



TYPICAL HARD DUCT CONNECTION



OR
TYPICAL FLEX DUCT CONNECTION

- STANDARD ITEMS:**
- 1: 2" THICK R-8 INTERNAL INSULATION
 - 2: HANGING BRACKETS
 - 3: WHITE ALUMINUM GRILLES
 - 4: GALVANIZED STEEL CONSTRUCTION
- OPTIONS:**
- 1: RECTANGLE HARD DUCT CONNECTION
 - 2: ROUND FLEX DUCT COLLARS (4.5" TALL)
 - 3: MILL FINISH GRILLES
 - 4: SUPPLY/RETURN DUCT SMOKE DETECTOR
 - 5: CLOSED CELL INSULATION
 - 6: STAINLESS STEEL CONSTRUCTION
 - 7: CUSTOM DUCT INLET SIZE:
 - 8: PAINTED BOTTOM (WHITE)

MODEL#	A	B	C	D	E	F	RETURN*	SUPPLY*	CFM RANGE	NC	MIN THROW#	MAX THROW#
RA58	21.5"	12.0"	58.0"	18"	50.0"	22.0"	42"X42"	24"X 8"	5,850 - 11,700	23 - 44	25 - 35 - 50	41 - 50 - 70
RA64	22.0"	12.0"	64.0"	20"	56.0"	25.0"	46"X46"	28"X 8"	6,600 - 13,150	24 - 44	27 - 37 - 53	43 - 53 - 75
RA70	20.5"	14.0"	70.0"	-	64.0"	28.0"	48"X48"	30"X 10"	8,700 - 17,500	25 - 46	31 - 43 - 61	50 - 61 - 86
RA76	21.0"	16.0"	76.0"	-	64.0"	30.0"	48"X48"	32"X 12"	11,800 - 21,650	26 - 44	36 - 50 - 71	56 - 68 - 96

#THROW DISTANCE IN FEET FOR TERMINAL VELOCITY OF 150-100-50 FPM
*GRILLE SIZE

EP Custom Products, Inc.- 7823 Commerce Drive, PO Box 1118, Denver, North Carolina, 28037 704.483.8745

www.epcustomproducts.com

 EP CUSTOM PRODUCTS <small>ENDLESS POSSIBILITIES</small>	RIGHT ANGLE CONCENTRIC DIFFUSER MODELS RA58-76 4-WAY THROW
	SUBMITTED TO:
DATE: 07-07-21 REVISION #: 4	Items subject to change without notice. EP Custom Products is not responsible to notify of changes or updates in product design. Copyright 2021.