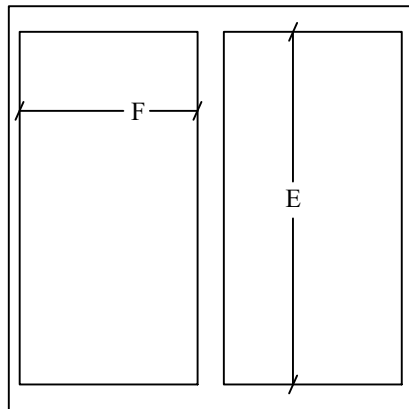
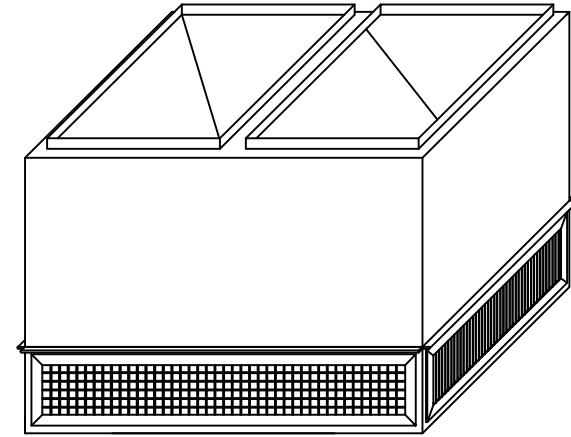
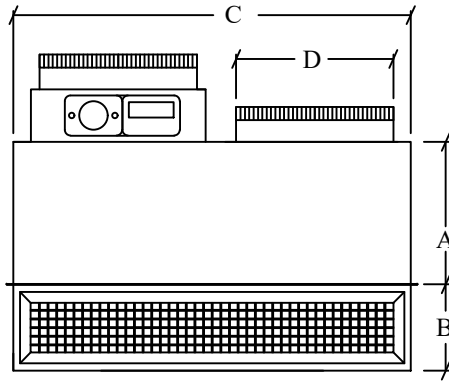
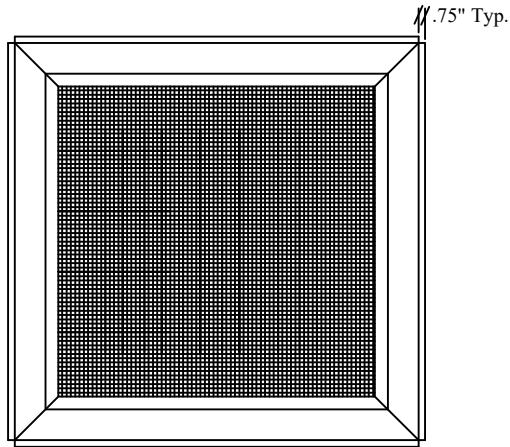
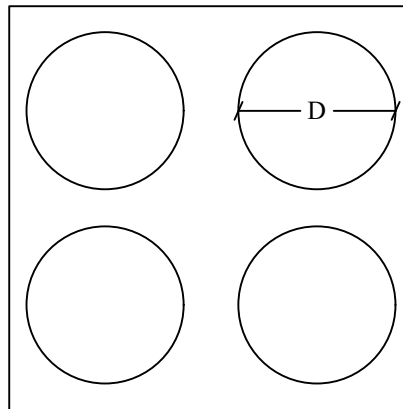


FOUR - WAY THROW



TYPICAL HARD DUCT CONNECTION



OR
TYPICAL FLEX DUCT CONNECTION

- STANDARD ITEMS:**
- 1: 2" THICK R-8 INTERNAL INSULATION
 - 2: HANGING BRACKETS
 - 3: WHITE ALUMINUM GRILLES
 - 4: GALVANIZED STEEL CONSTRUCTION
- OPTIONS:**
- 1: RECTANGLE HARD DUCT CONNECTION
 - 2: ROUND FLEX DUCT COLLARS (4.5" TALL)
 - 3: MILL FINISH GRILLES
 - 4: SUPPLY/RETURN DUCT SMOKE DETECTOR
 - 5: CLOSED CELL INSULATION
 - 6: STAINLESS STEEL CONSTRUCTION
 - 7: CUSTOM DUCT INLET SIZE:
 - 8: PAINTED BOTTOM (WHITE)

| MODEL# | A | B | C | D | E | F | RETURN* | SUPPLY* | CFM RANGE | NC | MIN THROW# | MAX THROW# |
|--------|-------|-------|-------|-----|-------|-------|---------|---------|----------------|---------|--------------|--------------|
| RA34 | 12.0" | 7.0" | 34.0" | 14" | 30.0" | 13.0" | 26"X26" | 30"X 4" | 1,700 - 3,450 | 21 - 42 | 19 - 27 - 38 | 31 - 38 - 54 |
| RA40 | 14.0" | 9.0" | 40.0" | 16" | 36.0" | 16.0" | 30"X30" | 36"X 5" | 2,650 - 5,300 | 23 - 44 | 24 - 34 - 47 | 39 - 47 - 67 |
| RA46 | 16.5" | 10.0" | 46.0" | 18" | 40.0" | 18.0" | 34"X34" | 42"X 6" | 3,800 - 7,600 | 24 - 45 | 29 - 40 - 57 | 46 - 57 - 80 |
| RA52 | 19.0" | 11.0" | 52.0" | 20" | 46.0" | 20.0" | 38"X38" | 48"X 7" | 5,100 - 10,250 | 26 - 46 | 33 - 47 - 66 | 54 - 66 - 93 |

#THROW DISTANCE IN FEET FOR TERMINAL VELOCITY OF 150-100-50 FPM
*GRILLE SIZE

EP Custom Products, Inc.- 7823 Commerce Drive, PO Box 1118, Denver, North Carolina, 28037 704.483.8745

www.epcustomproducts.com

| | |
|--|--|
|  EP CUSTOM PRODUCTS <small>ENDLESS POSSIBILITIES</small> | RIGHT ANGLE CONCENTRIC DIFFUSER MODELS RA34-52 4-WAY THROW |
| | SUBMITTED TO: |
| DATE: 07-07-21 REVISION #: 3 | Items subject to change without notice. EP Custom Products is not responsible to notify of changes or updates in product design. Copyright 2021. |