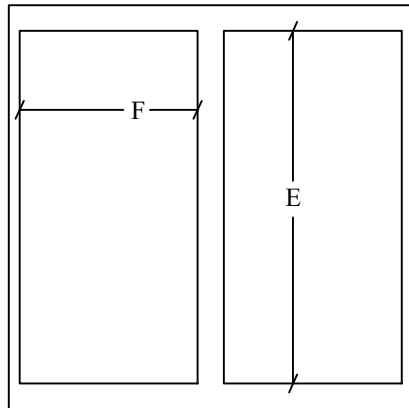
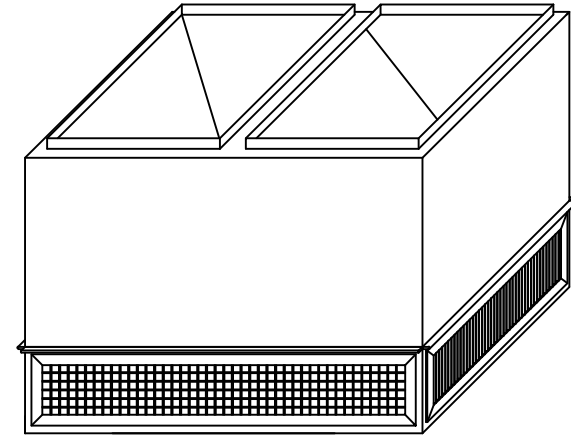
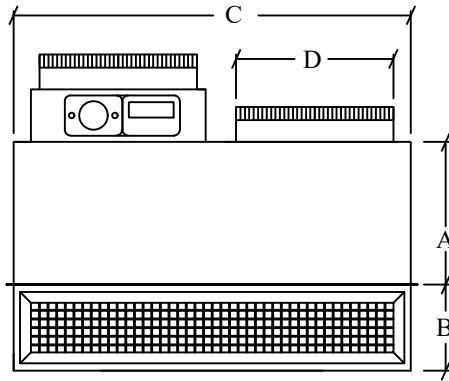
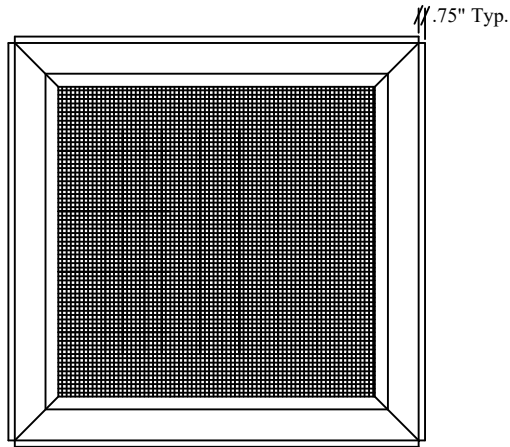
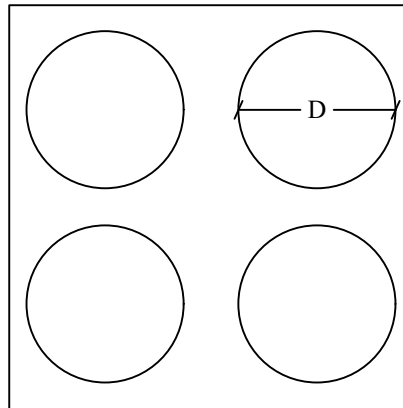


THREE - WAY THROW



TYPICAL HARD DUCT CONNECTION



OR
TYPICAL FLEX DUCT CONNECTION

- STANDARD ITEMS:**
- 1: 2" THICK R-8 INTERNAL INSULATION
 - 2: HANGING BRACKETS
 - 3: WHITE ALUMINUM GRILLES
 - 4: GALVANIZED STEEL CONSTRUCTION
- OPTIONS:**
- 1: RECTANGLE HARD DUCT CONNECTION
 - 2: ROUND FLEX DUCT COLLARS (4.5" TALL)
 - 3: MILL FINISH GRILLES
 - 4: SUPPLY/RETURN DUCT SMOKE DETECTOR
 - 5: CLOSED CELL INSULATION
 - 6: STAINLESS STEEL CONSTRUCTION
 - 7: CUSTOM DUCT INLET SIZE:
 - 8: PAINTED BOTTOM (WHITE)

MODEL#	A	B	C	D	E	F	RETURN*	SUPPLY*	CFM RANGE	NC	MIN THROW#	MAX THROW#
RA34-3W	12.0"	7.0"	34.0"	14"	30.0"	13.0"	26"X26"	30"X 4"	1,300 - 2,600	21 - 42	19 - 27 - 38	31 - 38 - 54
RA40-3W	14.0"	9.0"	40.0"	16"	36.0"	16.0"	30"X30"	36"X 5"	2,000 - 4,000	23 - 44	24 - 34 - 47	39 - 47 - 67
RA46-3W	16.5"	10.0"	46.0"	18"	40.0"	18.0"	34"X34"	42"X 6"	2,850 - 5,700	24 - 45	29 - 40 - 57	46 - 57 - 80
RA52-3W	19.0"	11.0"	52.0"	20"	46.0"	20.0"	38"X38"	48"X 7"	3,800 - 7,700	26 - 46	33 - 47 - 66	54 - 66 - 93

#THROW DISTANCE IN FEET FOR TERMINAL VELOCITY OF 150 FPM
*GRILLE SIZE

EP Custom Products, Inc.- 7823 Commerce Drive, PO Box 1118, Denver, North Carolina, 28037 704.483.8745

www.epcustomproducts.com

 EP CUSTOM PRODUCTS <small>ENDLESS POSSIBILITIES</small>	RIGHT ANGLE CONCENTRIC DIFFUSER MODELS RA34-52 3-WAY THROW
	SUBMITTED TO:
DATE: 07-07-21 REVISION #: 2	Items subject to change without notice. EP Custom Products is not responsible to notify of changes or updates in product design. Copyright 2021.