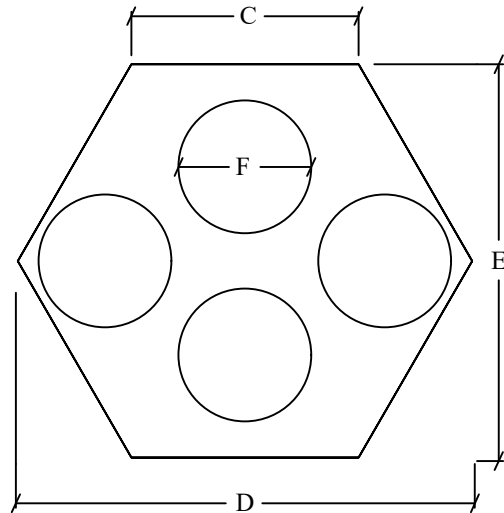
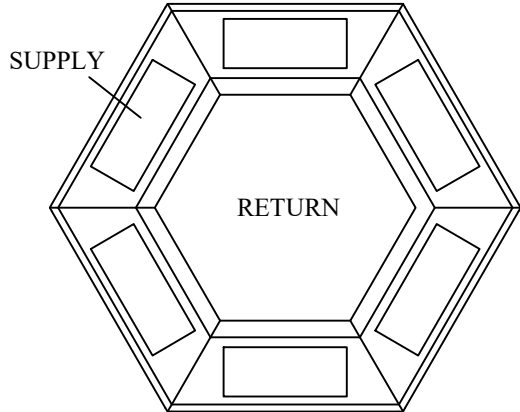
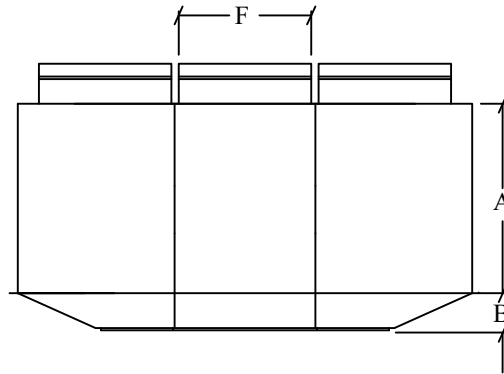
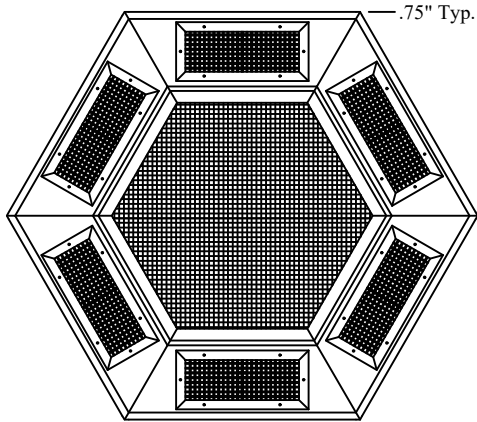


SIX - WAY THROW CUSTOM

.75" Typ.



- STANDARD ITEMS:
- 1: 2" THICK R-8 INTERNAL INSULATION
 - 2: HANGING BRACKETS
 - 3: PAINTED FACE (WHITE)


- OPTIONS:
- 1: RECTANGLE HARD DUCT CONNECTION
 - 2: ROUND FLEX DUCT COLLARS (4.5" TALL)
 - 3: RETURN AIR DUCT SMOKE DETECTOR
 - 4: SUPPLY AIR DUCT SMOKE DETECTOR
 - 5: CLOSED CELL INSULATION
 - 6: STAINLESS STEEL CONSTRUCTION
 - 7: CUSTOM DUCT INLET SIZE _____

MODEL#	A	B	C	D	E	F	RETURN*	SUPPLY*	CFM RANGE	NC	MIN THROW#	MAX THROW#
6WAF24	14.0"	4.0"	24.0"	48.0"	41.50"	14"	26.63"X23.07"	12"X 6"	1,000 - 2,500	15 - 41	14 - 21 - 32	27 - 33 - 46
6WAF27	15.0"	4.5"	27.0"	54.0"	46.75"	16"	30.42"X26.32"	14"X 7"	1,550 - 3,700	16 - 42	17 - 25 - 36	32 - 40 - 56
6WAF30	16.0"	5.0"	30.0"	60.0"	52.00"	18"	34.16"X29.58"	16"X 8"	2,650 - 5,300	23 - 44	24 - 34 - 47	39 - 47 - 67
6WAF33	17.0"	5.5"	33.0"	66.0"	57.25"	20"	37.91"X32.83"	18"X 9"	3,600 - 7,000	24 - 45	28 - 39 - 55	45 - 55 - 78

#THROW DISTANCE IN FEET FOR TERMINAL VELOCITY OF 150-100-50 FPM
*GRILLE SIZE

EP Custom Products, Inc.- 7823 Commerce Drive, PO Box 1118, Denver, North Carolina, 28037 704.483.8745

www.epcustomproducts.com

 EP CUSTOM PRODUCTS <small>ENDLESS POSSIBILITIES</small>	ANGLED FACE CONCENTRIC DIFFUSER MODELS 6WAF24-33
	SUBMITTED TO:
DATE: 07-07-21 REVISION #: 7	Items subject to change without notice. EP Custom Products is not responsible to notify of changes or updates in product design. Copyright 2021.