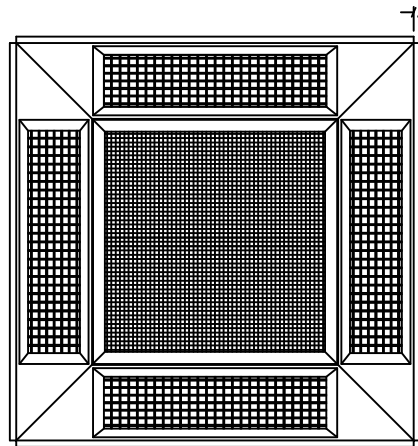
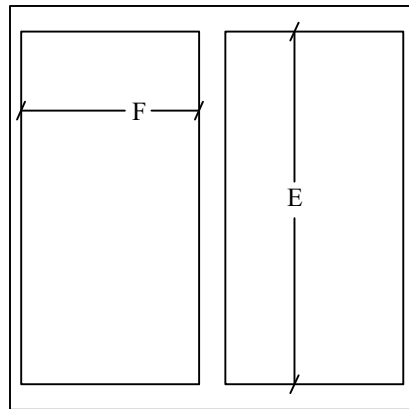
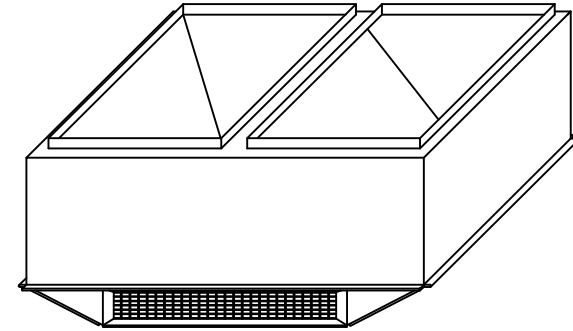
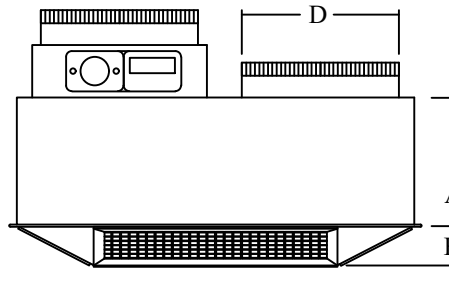


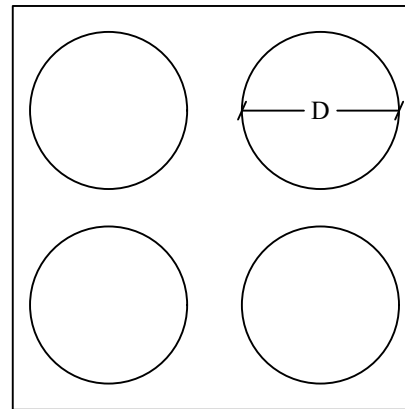
# LOW PROFILE FOUR - WAY THROW



.75" Typ.



TYPICAL HARD DUCT CONNECTION



OR

TYPICAL FLEX DUCT CONNECTION

- STANDARD ITEMS:
- 1: 2" THICK R-8 INTERNAL INSULATION
  - 2: HANGING BRACKETS
  - 3: PAINTED FACE ( WHITE )

- OPTIONS:
- 1: RECTANGLE HARD DUCT CONNECTION
  - 2: ROUND FLEX DUCT COLLARS ( 4.5" TALL )
  - 3: RETURN AIR DUCT SMOKE DETECTOR
  - 4: SUPPLY AIR DUCT SMOKE DETECTOR
  - 5: CLOSED CELL INSULATION
  - 6: STAINLESS STEEL CONSTRUCTION
  - 7: CUSTOM DUCT INLET SIZE \_\_\_\_\_

| MODEL#  | A     | B    | C     | D   | E     | F     | RETURN* | SUPPLY* | CFM RANGE     | NC      | MIN THROW#   | MAX THROW#   |
|---------|-------|------|-------|-----|-------|-------|---------|---------|---------------|---------|--------------|--------------|
| AF34-LP | 10.0" | 3.5" | 34.0" | 14" | 30.0" | 13.0" | 18"X18" | 18"X 5" | 1,000 - 2,500 | 15 - 41 | 14 - 21 - 32 | 27 - 33 - 46 |
| AF40-LP | 12.5" | 4.0" | 40.0" | 16" | 36.0" | 16.0" | 22"X22" | 22"X 6" | 1,550 - 3,700 | 16 - 42 | 17 - 25 - 36 | 32 - 40 - 56 |
| AF46-LP | 15.0" | 4.5" | 46.0" | 18" | 40.0" | 18.0" | 26"X26" | 26"X 7" | 2,650 - 5,300 | 23 - 44 | 24 - 34 - 47 | 39 - 47 - 67 |
| AF52-LP | 17.5" | 5.0" | 52.0" | 20" | 46.0" | 20.0" | 30"X30" | 30"X 8" | 3,600 - 7,000 | 24 - 45 | 28 - 39 - 55 | 45 - 55 - 78 |
| AF58-LP | 20.0" | 5.5" | 58.0" | 18" | 50.0" | 22.0" | 34"X34" | 34"X 9" | 4,650 - 8,550 | 25 - 43 | 32 - 42 - 63 | 49 - 60 - 85 |

#THROW DISTANCE IN FEET FOR TERMINAL VELOCITY OF 150-100-50 FPM  
\*GRILLE SIZE

EP Custom Products, Inc.- 7823 Commerce Drive, PO Box 1118, Denver, North Carolina, 28037 704.483.8745

www.epcustomproducts.com

|  |  |
|--|--|
| <br><b>EP CUSTOM PRODUCTS</b><br><small>ENDLESS POSSIBILITIES</small> | ANGLED FACE CONCENTRIC DIFFUSER<br>MODELS AF34-58 LP LOW PROFILE   |
|  | SUBMITTED TO:  |
| DATE: 07-07-21<br>REVISION #: 4  | Items subject to change without notice. EP Custom Products is not responsible to notify of changes or updates in product design. Copyright 2021. |