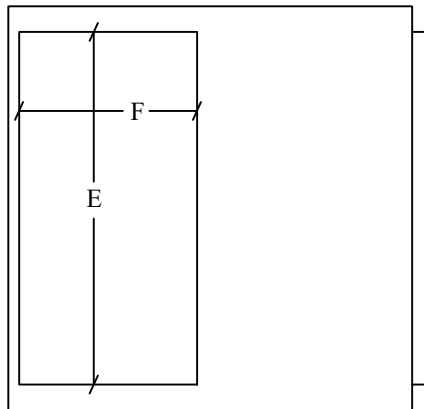
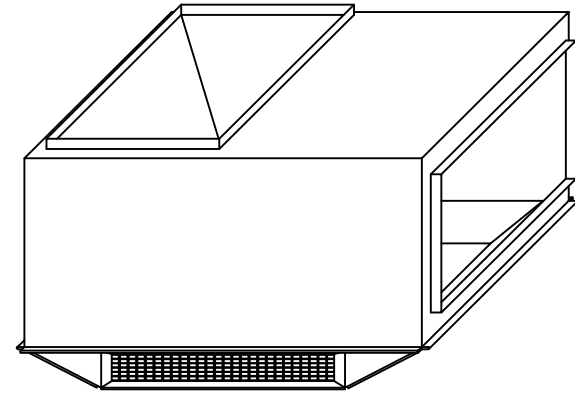
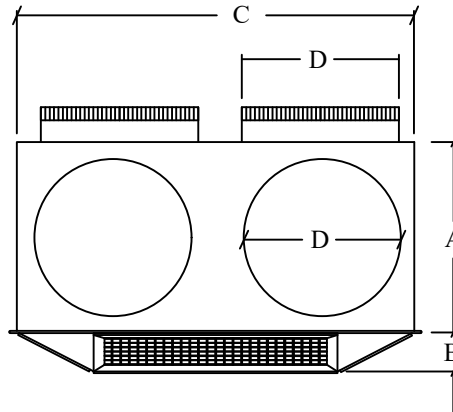
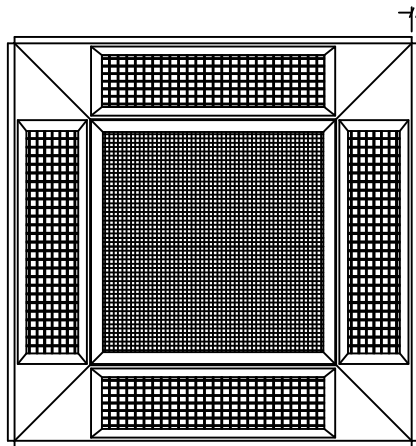
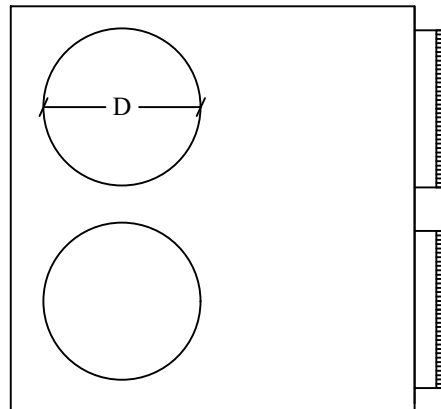


SIDE INLET SUPPLY FOUR - WAY THROW



TYPICAL HARD DUCT CONNECTION

OR



TYPICAL FLEX DUCT CONNECTION


- STANDARD ITEMS:**
- 1: 2" THICK R-8 INTERNAL INSULATION
 - 2: HANGING BRACKETS
 - 3: PAINTED FACE (WHITE)
 - 4: WHITE ALUMINUM GRILLES
 - 5: GALVANIZED STEEL CONSTRUCTION
- OPTIONS:**
- 1: RECTANGLE HARD DUCT CONNECTION
 - 2: ROUND FLEX DUCT COLLARS (4.5" TALL)
 - 3: RETURN AIR DUCT SMOKE DETECTOR
 - 4: SUPPLY AIR DUCT SMOKE DETECTOR
 - 5: CLOSED CELL INSULATION
 - 6: STAINLESS STEEL CONSTRUCTION
 - 7: CUSTOM DUCT INLET SIZE:

MODEL#	A	B	C	D	E	F	RETURN*	SUPPLY*	CFM RANGE	NC	MIN THROW#	MAX THROW#
AF34-SI	16.5"	3.5"	34.0"	14"	30.0"	13.0"	18"X18"	18"X 5"	1,000 - 2,500	15 - 41	14 - 21 - 32	27 - 33 - 46
AF40-SI	19.0"	4.0"	40.0"	16"	36.0"	16.0"	22"X22"	22"X 6"	1,550 - 3,700	16 - 42	17 - 25 - 36	32 - 40 - 56
AF46-SI	22.0"	4.5"	46.0"	18"	40.0"	18.0"	26"X26"	26"X 7"	2,650 - 5,300	23 - 44	24 - 34 - 47	39 - 47 - 67
AF52-SI	25.0"	5.0"	52.0"	20"	46.0"	20.0"	30"X30"	30"X 8"	3,600 - 7,000	24 - 45	28 - 39 - 55	45 - 55 - 78

#THROW DISTANCE IN FEET FOR TERMINAL VELOCITY OF 150-100-50 FPM
*GRILLE SIZE

EP Custom Products, Inc.- 7823 Commerce Drive, PO Box 1118, Denver, North Carolina, 28037 704.483.8745

www.epcustomproducts.com

 EP CUSTOM PRODUCTS <small>ENDLESS POSSIBILITIES</small>	ANGLED FACE CONCENTRIC DIFFUSER MODELS AF34-52 SIDE SUPPLY
	SUBMITTED TO:
DATE: 07-07-21 REVISION #: 2	Items subject to change without notice. EP Custom Products is not responsible to notify of changes or updates in product design. Copyright 2021.