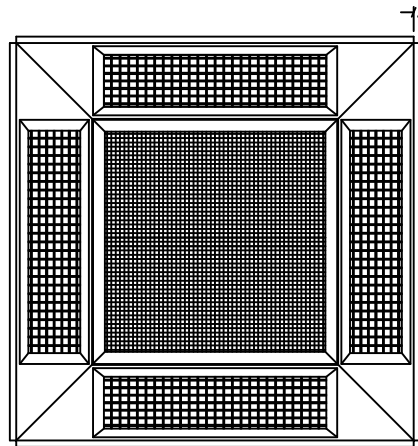
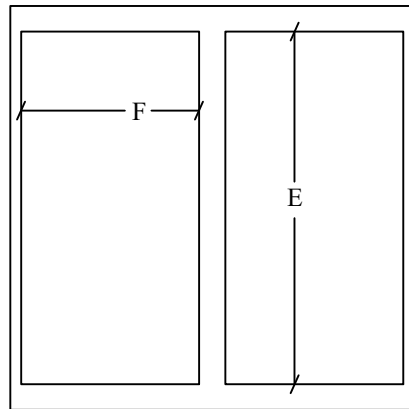
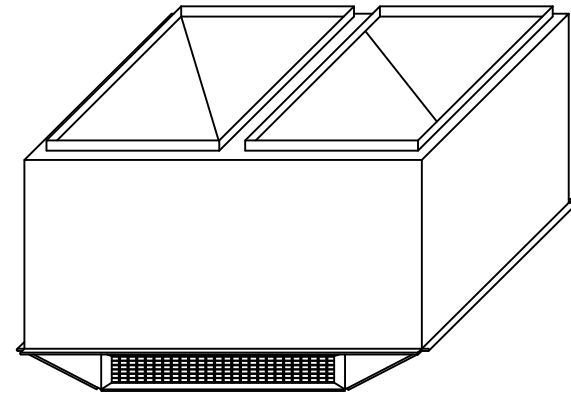
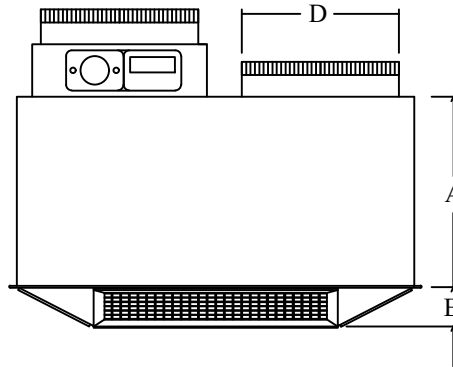


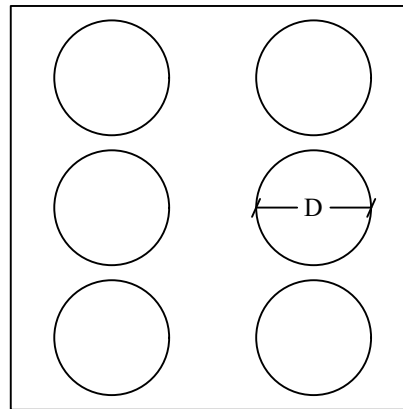
FOUR - WAY THROW



.75" Typ.



TYPICAL HARD DUCT CONNECTION



TYPICAL FLEX DUCT CONNECTION

OR

- STANDARD ITEMS:**
- 1: 2" THICK R-8 INTERNAL INSULATION
 - 2: HANGING BRACKETS
 - 3: PAINTED FACE (WHITE)
 - 4: WHITE ALUMINUM GRILLES
 - 5: GALVANIZED STEEL CONSTRUCTION
- OPTIONS:**
- 1: RECTANGLE HARD DUCT CONNECTION
 - 2: ROUND FLEX DUCT COLLARS (4.5" TALL)
 - 3: RETURN AIR DUCT SMOKE DETECTOR
 - 4: SUPPLY AIR DUCT SMOKE DETECTOR
 - 5: CLOSED CELL INSULATION
 - 6: STAINLESS STEEL CONSTRUCTION
 - 7: CUSTOM DUCT INLET SIZE:

MODEL#	A	B	C	D	E	F	RETURN*	SUPPLY*	CFM RANGE	NC	MIN THROW#	MAX THROW#
AF58	28.0"	5.5"	58.0"	18"	50.0"	22.0"	34"X34"	34"X 9"	4,650 - 8,550	25 - 43	32 - 45 - 63	49 - 60 - 85
AF64	28.0"	6.0"	64.0"	20"	56.0"	25.0"	38"X38"	38"X 10"	6,000 - 11,800	26 - 47	36 - 50 - 71	58 - 71 - 100
AF70	28.0"	6.5"	70.0"	-	64.0"	28.0"	42"X42"	42"X 11"	7,000 - 14,000	27 - 47	40 - 56 - 80	65 - 80 - 113
AF76	30.0"	7.0"	76.0"	-	64.0"	30.0"	46"X46"	46"X 12"	8,400 - 15,300	28 - 46	43 - 60 - 84	66 - 81 - 114

#THROW DISTANCE IN FEET FOR TERMINAL VELOCITY OF 150-100-50 FPM
*GRILLE SIZE

EP Custom Products, Inc.- 7823 Commerce Drive, PO Box 1118, Denver, North Carolina, 28037 704.483.8745

www.epcustomproducts.com

 EP CUSTOM PRODUCTS <small>ENDLESS POSSIBILITIES</small>	ANGLED FACE CONCENTRIC DIFFUSER MODELS AF58-76
	SUBMITTED TO:
DATE: 07-07-21 REVISION #: 8	Items subject to change without notice. EP Custom Products is not responsible to notify of changes or updates in product design. Copyright 2021.