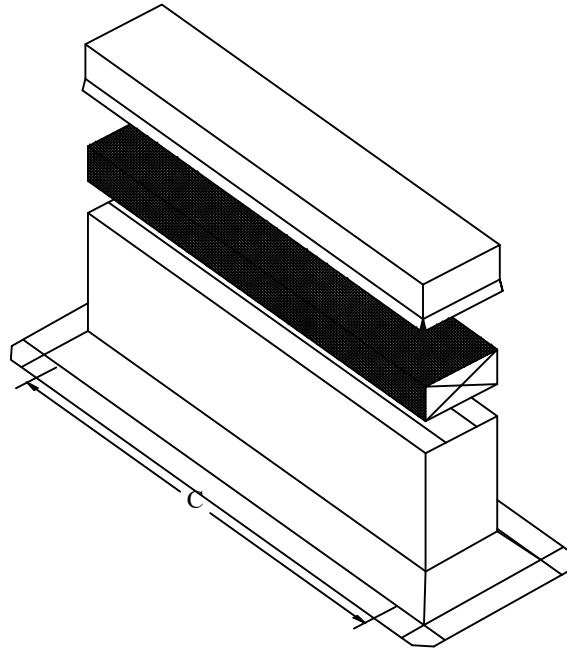
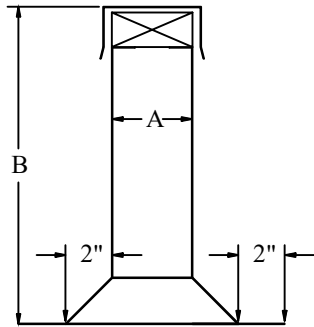


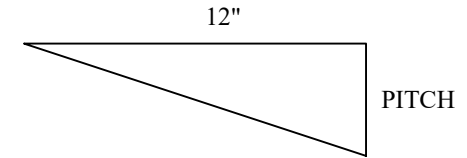
CANTED EQUIPMENT RAIL

ANY SIZE AVAILABLE



- STANDARD ITEMS:**
- 1: 18 GA GALVANIZED STEEL
 - 2: FULLY WELDED SEAMS
 - 3: WOOD NAILER
 - 4: WATER TIGHT CAP
 - 5: INTERNAL SUPPORT BARS (36" AND UP)

- OPTIONS:**
- 1: VIBRATION ISOLATION MOUNTS
 - 2: DELETE WOOD NAILER
 - 3: ALUMINUM CONSTRUCTION
 - 4: ANY LENGTH, HEIGHT, AND WIDTH
 - 5: SLOPED FOR PITCHED ROOF



MARK	"A"	"B"	"C"	PITCH	OPTIONS
				___/12	
				___/12	
				___/12	
				___/12	
				___/12	
				___/12	
				___/12	
				___/12	

STANDARD EQUIPMENT RAIL SIZES		
"A"	"B"	"C"
4.0"	12"	24"
4.0"	12"	36"
4.0"	12"	48"
4.0"	12"	60"

www.epcustomproducts.com

 <p>EP CUSTOM PRODUCTS ENDLESS POSSIBILITIES</p>	<p>CANTED EQUIPMENT RAIL STANDARD SIZES CUSTOM SIZES AVAILABLE</p>
	<p>SUBMITTED TO:</p>
<p>DATE: 11-26-18 REVISION #: 2</p>	<p>Items subject to change without notice. EP Custom Products is not responsible to notify of changes or updates in product design. Copyright 2018.</p>