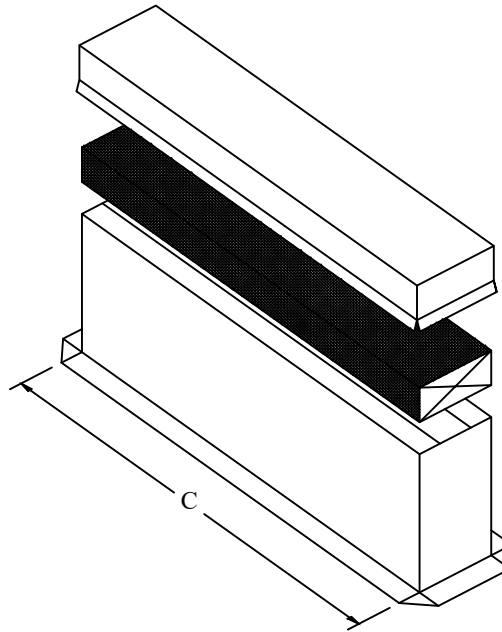
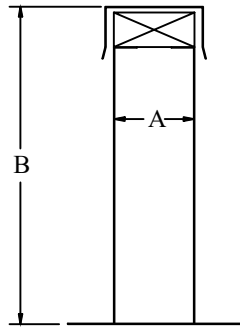
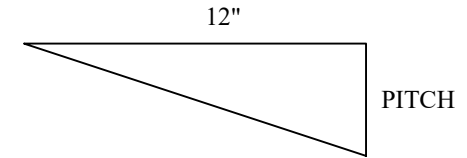


NO CANT EQUIPMENT RAIL ANY SIZE AVAILABLE



- STANDARD ITEMS:**
- 1: 18 GA GALVANIZED STEEL
 - 2: FULLY WELDED SEAMS
 - 3: WOOD NAILER
 - 4: WATER TIGHT CAP
 - 5: INTERNAL SUPPORT BARS (36" AND UP)

- OPTIONS:**
- 1: VIBRATION ISOLATION MOUNTS
 - 2: DELETE WOOD NAILER
 - 3: ALUMINUM CONSTRUCTION
 - 4: ANY LENGTH, HEIGHT, AND WIDTH
 - 5: SLOPED FOR PITCHED ROOF



MARK	"A"	"B"	"C"	PITCH	OPTIONS
				___/12	
				___/12	
				___/12	
				___/12	
				___/12	
				___/12	
				___/12	
				___/12	

STANDARD STOCK EQUIPMENT RAIL SIZES		
"A"	"B"	"C"
4.0"	12"	24"
4.0"	12"	36"
4.0"	12"	48"
4.0"	12"	60"

www.epcustomproducts.com

 EP CUSTOM PRODUCTS <small>ENDLESS POSSIBILITIES</small>	NO CANT EQUIPMENT RAIL STOCK SIZES CUSTOM SIZES AVAILABLE
	SUBMITTED TO:
DATE: 11-26-18 REVISION #: 2	Items subject to change without notice. EP Custom Products is not responsible to notify of changes or updates in product design. Copyright 2018.