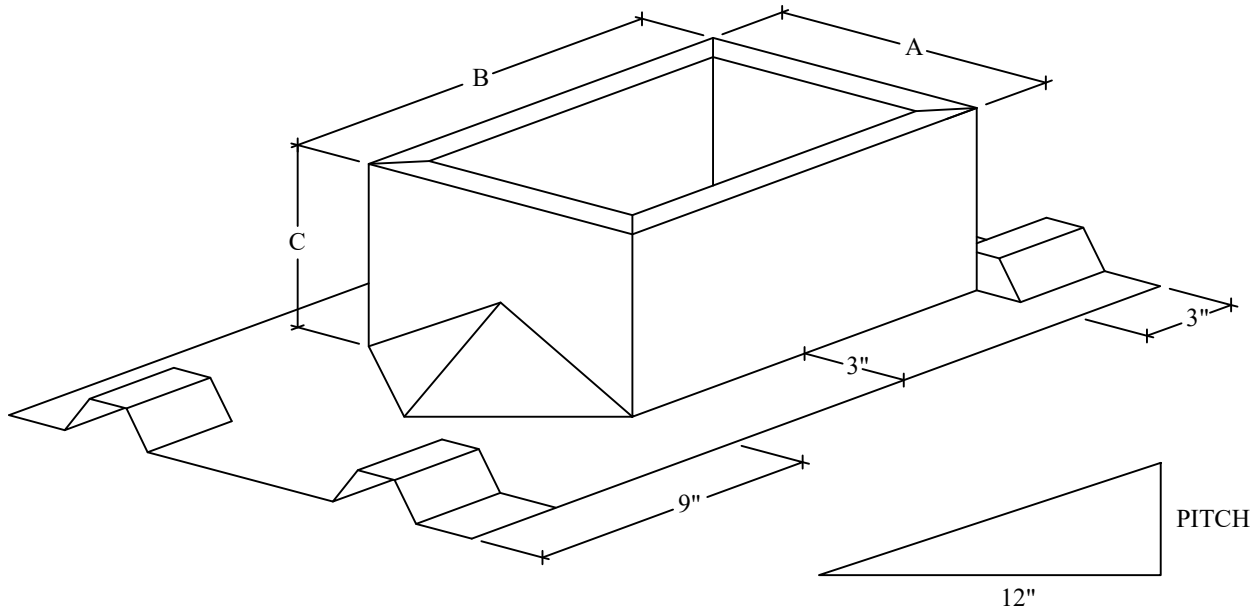


STANDING SEAM ROOF CURB




STANDARD ITEMS:
 1: 1" THICK INTERNAL INSULATION
 2: 18 GA GALVANIZED STEEL (FULLY WELDED)

MARK	"A"	"B"	"C"	PITCH	OPTIONS
				___/12	
				___/12	
				___/12	
				___/12	
				___/12	
				___/12	
				___/12	
				___/12	

OPTIONS:
 1: DAMPER TRAY
 2: WOOD NAILER (ADDS 1.5" TO HEIGHT)
 3: ALUMINUM CONSTRUCTION
 4: DELETE INSULATION
 5: ROOF PANEL MFG & MODEL _____

www.epcustomproducts.com

 EP CUSTOM PRODUCTS <small>ENDLESS POSSIBILITIES</small>	STANDING SEAM METAL ROOF CURBS WITH WATER DIVERTER CUSTOM SIZE
	SUBMITTED TO:
DATE: 11-26-18	Items subject to change without notice. EP Custom Products is not responsible to notify of changes or updates in product design. Copyright 2018.
REVISION #: 2	