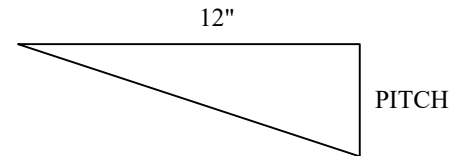
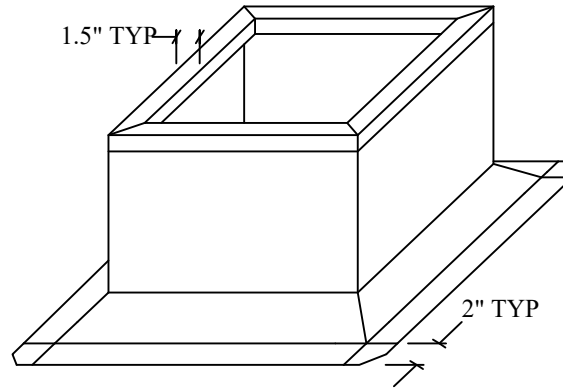
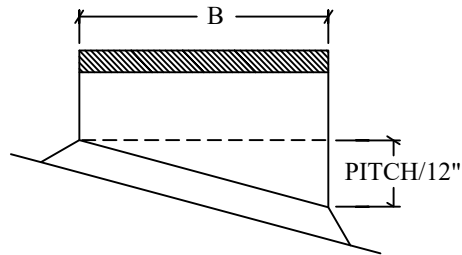
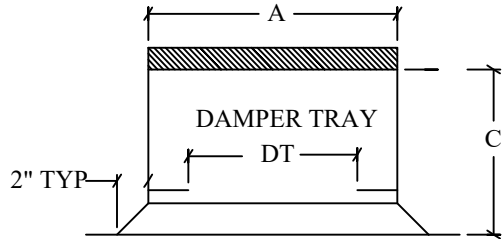


CUSTOM CANTED ROOF CURB



- STANDARD ITEMS:
 1: 1" THICK INTERNAL INSULATION
 2: 18 GA GALVANIZED STEEL (FULLY WELDED)

MARK	"A"	"B"	"C"	PITCH	OPTIONS
				___/12	
				___/12	
				___/12	
				___/12	
				___/12	
				___/12	
				___/12	
				___/12	

- OPTIONS:
 1: DAMPER TRAY
 2: WOOD NAILER (ADDS 1.5" TO HEIGHT)
 3: ALUMINUM CONSTRUCTION
 4: DELETE INSULATION
 5: SLOPED FOR ROOF PITCH

www.epcustomproducts.com

 EP CUSTOM PRODUCTS <small>ENDLESS POSSIBILITIES</small>	CANTED METAL ROOF CURBS CUSTOM SIZE
	SUBMITTED TO:
DATE: 11-26-18 REVISION #: 2	Items subject to change without notice. EP Custom Products is not responsible to notify of changes or updates in product design. Copyright 2018.