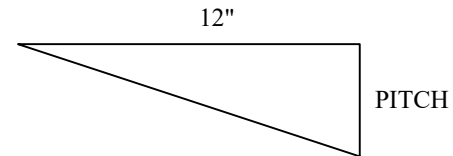
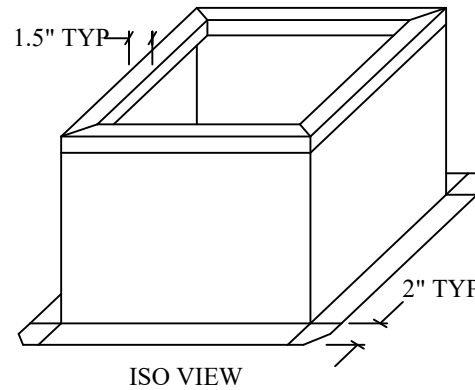
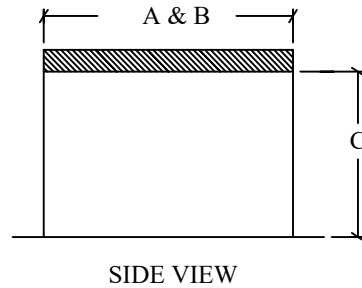


# EXHAUST / INTAKE ROOF CURB NO CANT / SELF FLASHING



STANDARD ITEMS:  
1: 1" THICK INTERNAL INSULATION  
2: 18 GA GALVANIZED STEEL ( FULLY WELDED )

MARK	"A"	"B"	"C"	PITCH	OPTIONS
				___/12	
				___/12	
				___/12	
				___/12	
				___/12	
				___/12	
				___/12	
				___/12	

- OPTIONS:
- 1: DAMPER TRAY
  - 2: WOOD NAILER (ADDS 1.5" TO HEIGHT)
  - 3: ALUMINUM CONSTRUCTION
  - 4: DELETE INSULATION
  - 5: SLOPED FOR PITCHED ROOF

[www.epcustomproducts.com](http://www.epcustomproducts.com)

 <b>EP CUSTOM PRODUCTS</b> <small>ENDLESS POSSIBILITIES</small>	EXHAUST & INTAKE METAL ROOF CURBS CUSTOM SIZE
	SUBMITTED TO:
DATE: 11-26-18	Items subject to change without notice. EP Custom Products is not responsible to notify of changes or updates in product design. Copyright 2018.
REVISION #: 2	